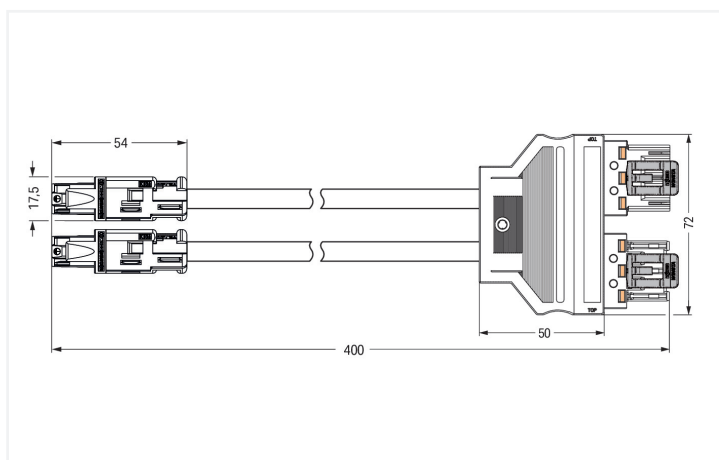
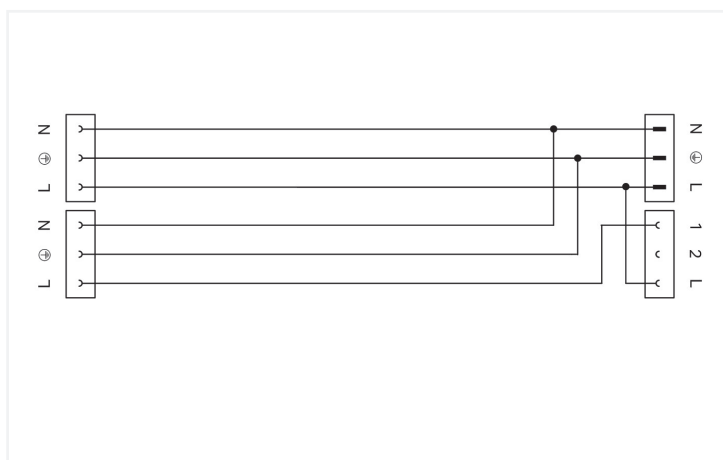
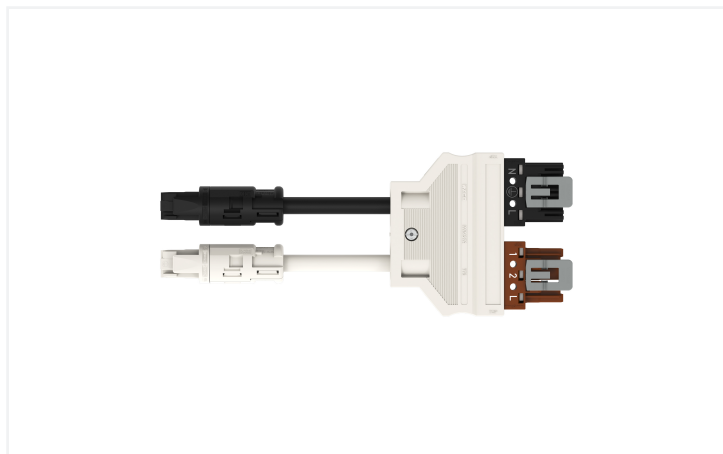


Data Sheet | Item Number: 774-5001/102-000

pre-assembled Y-cable; Eca; Cod. A/S; H05VV-F 3G 2.5 mm²; H05VV-F 3G 1.5 mm²;
0.4 m; 2,50 mm²

<https://www.wago.com/774-5001/102-000>



Cable assembly WINSTA® RD with protection type IP20

The WINSTA® RD cable assembly 3-pole is the pluggable solution for your use in control cabinets, for lighting connections or on PCBs. WAGO pluggable installation connectors are used when requirements repeat or are planned on a defined grid, for example for installing grid lighting or flush-mount lighting. The coding options reduce installation errors, allowing fast, secure wiring of all components. The pluggable installation connector is protected against ingress by solid objects in accordance with protection type IP20 (When mated: IP2xC (These compact connectors are not designed for use in open, easily accessible areas!)). WINSTA® RD: Solutions from this product line fit into drill holes and conduits with diameters up to 20 mm. Of course, the safety of buildings must always be ensured, even after the electrical installation has been performed. The required safety requirements in connection with EU CPR are fully satisfied by this product through fire class E.

Fast, secure pluggable connections – cable assemblies from WAGO

The cable assembly is provided with a RD socket, a RD socket, a MIDI plug and a MIDI socket. WINSTA® is the pluggable connection system that is optimally tailored to the strict requirements of electrical installation. It allows error-free installation of cables and components, quickly and reliably. Choose quality and durability – with protection type IP20 from WAGO makes the electrical installation of electrical components noticeably easier.

- effective protection against mismatching
- products perfectly tailored to your requirements guarantee safe use
- suitable for any application
- custom-engineered solutions
- quick replacement of defective units during ongoing operation

Notes

Note Cables with a different fire class can be found in the eShop.

Electrical data

Ratings per	IEC/EN 60664-1		
Overvoltage category	III	III	II
Pollution degree	3	2	2
Nominal voltage	250 V	-	-
Rated impulse withstand voltage	4 kV	-	-
Rated current	16 A	-	-

General information

Note on contact resistance approx. 1 mΩ of contact resistance
approx. 0.25 mΩ contact transition plug/ socket

Connection Data

Total number of potentials 4

Connection 1

Pole number 3
Wire cross-section 2.5 mm²
Connection type RD socket; RD socket - MIDI plug; MIDI socket

Connection 2

Pole number 3
Sheathed cable diameter 7.4 ... 9.4 mm
Wire cross-section 1.5 mm²

Connection 3

Pole number 3

Connection 4

Pole number 3

Physical data

Pin spacing 10 mm / 0.394 inches
Width 72 mm / 2.835 inches
Height 17.5 mm / 0.689 inches
Total length 0.4 m

Mechanical data

Use General mains applications
Coding A
Coding 2 A
Variable coding Yes
Marking L ⊕ N
Mating force of a plug-in connection Approx. 30 ... 70 N (depending on pole number)
Retention force of a plug-in connection when locked: > 80N
Unmating force of a plug-in connection Unlocked: approx. 30 ... 70 N (depending on pole number)
Number of mating cycles 200, without resistive load
Connection type RD socket; RD socket - MIDI plug; MIDI socket
Type of pre-assembled cable Y-cable
Cable type H05VV-F 3G2.5
Cable type 2 H05VV-F 3G1.5
Protection type IP20; When mated: IP2xC (These compact connectors are not designed for use in open, easily accessible areas!)

Plug-in connection

Mismating protection	Yes
Note on mismating protection	All WINSTA® components are 100% protected against mismating when: a.) plugging different numbers of poles b.) plugging while incorrectly rotated c.) plugging while laterally staggered
Locking of plug-in connection	Locking lever

Material data

Note (material data)	Information on material specifications can be found here
Fire class per EN 50575	E _{ca}
Contact material	Copper or copper alloy; surface-treated
Contact Plating	Tin
Fire load	25.771 MJ
Connector color	black
Printing color of mating face	white
Strain relief color	black
Connector color 2	white
Printing color of mating face	black
Strain relief color 2	white
Connector color 3	black
Printing color of mating face	white
Strain relief color 3	black
Connector color 4	brown
Printing color of mating face	white
Sheathed cable color	black
Printing color of sheathed cable	white
Sheathed cable color 2	white
Printing color of sheathed cable 2	black
Halogen-free	No
Silicon-free	Yes
Sheath material	PVC
Rubber cable	No
Weight	150.3 g
Copper weight of the raw cable	0.043 kg/m

Environmental requirements

Processing temperature	-5 ... +40 °C
Continuous operating temperature	-35 ... +85 °C
Note on continuous operating temperature	Cable for temperatures ≤ 70 °C (including halogen-free) Insulating parts for temperatures ≤ 105 °C

Commercial data

PU (SPU)	1 pcs
Packaging type	unpacked
Country of origin	DE
GTIN	4066966302264
Customs tariff number	85444290900

Product Classification

UNSPSC	26121629
ETIM 9.0	EC002587
ETIM 10.0	EC002587
ECCN	NO US CLASSIFICATION

Environmental Product Compliance

RoHS Compliance Status	Compliant, No Exemption
------------------------	-------------------------

Downloads

Environmental Product Compliance

Compliance Search	
Environmental Product Compliance 774-5001/102-000	

1 Compatible Products

1.1 Required Accessories

1.1.1 Locking system

1.1.1.1 Locking system

Item No.: 770-101 Locking lever; for flying leads; for manual operation; black	Item No.: 770-121 Locking lever; for flying leads; for manual operation; white	Item No.: 770-111 Locking lever; for flying leads; for tool operation; black	Item No.: 770-131 Locking lever; for flying leads; for tool operation; white

1.2 Optional Accessories

1.2.1 Coding

1.2.1.1 Coding

Item No.: 770-401 Coding pin; for plugs; Plastic; gray

1.2.2 Cover

1.2.2.1 Cover

Item No.: 770-201 Lockout cap; 12-pole, separable; for sockets; Plastic; black	Item No.: 770-221 Lockout cap; 12-pole, separable; for sockets; Plastic; white	Item No.: 770-360 Lockout cap; for plugs; 5-pole; separable; yellow

1.2.3 Marking

1.2.3.1 Marking strip



Item No.: 210-334

Marking strips; as a DIN A4 sheet; Strip width 5 mm; Strip length 182 mm; plain; Self-adhesive; white