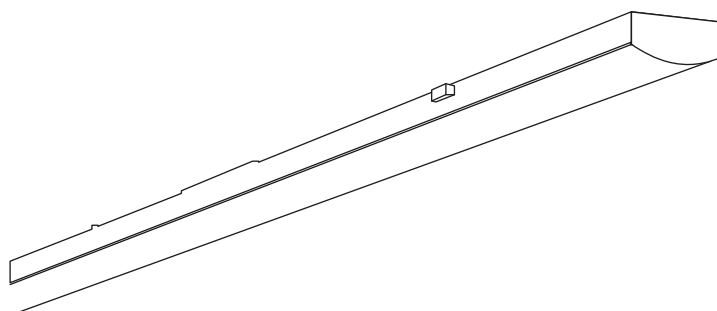




Read these instructions & save for future use

## Line lighting | LED module | 72W | 1-10V | 4000K | 120°



Article number **952-316**

Brand **Tronix Lighting**

Type **Industrial lighting**

Contents of this product **1x 72W line lighting 4000K**

Technical datasheet **Digitally available  
on our webshop**



*View instructions and  
technical data also on  
our website*

**TRONIX**



## Before first use

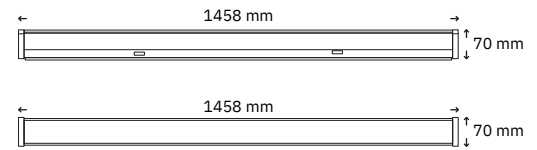
Before getting started with this product, it is advisable to check the order completeness and any damage. If this is the case, please contact Tronix Lighting.

## Description

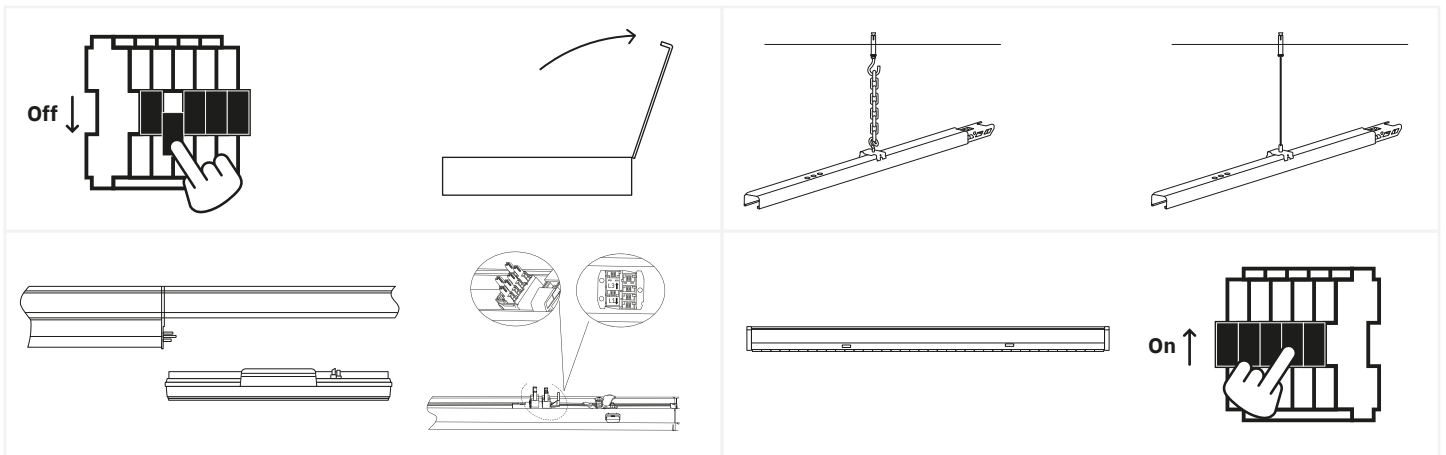
Tronix light lines can be easily connected using a tool-free click-coupling system, allowing light lines up to 100 meters long. Quick and easy assembly is guaranteed.

With light performance of up to 145 Lm per watt, Tronix Industrial Line Lighting saves up to 60% compared to conventional light lines.

A project in the industrial field requires customized approach with different requirements in color temperature, beam angle or dimming system. Please contact us so we can help and support you with customized advice.



## Installation



1. Turn off the power and remove the product and associated parts from the packaging;
2. Drill a hole in the ceiling and place the desired suspension structure. Then snap the rail into place using the clamps;
3. Place the loose LED module in the rail and attach it. Next, select the desired phase within the rail using the circuit in the rail;
4. Check the installation and activate the power when it is OK.



## Safety

Safety is a top priority at Tronix Lighting. Therefore, we heartily recommend that you follow the following steps closely:

- Keep this manual carefully for future reference;
- Choose a qualified electrician while installing, maintaining or inspecting this product;
- Never look directly into a light source to avoid possible eye damage;
- Ensure that the respective power group is always on non-active when the product is connected;
- Use only recommended combinations (LED drivers, controllers or dimmers) to avoid injury or damage to the product;
- The light source of this spotlight is not replaceable. Because of this, you must replace the entire fixture towards the end of its lifespan and it is not recommended to open it;
- Place this LED panel indoors only at a standard room temperature (~25°C).

## Technical problems and repair

Should a product not work properly after installation, or if the product exhibits problems over time, it is advisable to check the following elements:

- Check the wiring and installation of your product;
- Check for the presence of interfering elements such as dust, water or other electronics;
- If possible, try disconnecting the product and testing it in another location to rule out a problem at the location;
- Should you be dealing with a WIFI-based product, check and reset your router's settings.

Should the product still not work after testing, it is recommended to send it in for inspection and/or repair. To do so, please contact Tronix Lighting using nearby details and proof of purchase (packing slip).



CARE



SHARE



CONNECT

### Supplier:

Tronix Lighting B.V

Vluchtoord 41  
5406 XP Uden, Netherlands

+31 (0)413 330 380  
sales@tronixlighting.com

## Terms and symbols (as relevant to product)



The **CE mark** indicates that this product complies with EU regulations on safety, health and environmental protection;



The **WEEE symbol** stands for "Waste Electrical and Electronic Equipment Regulation," a directive on the collection, recycling and recovery of electronic waste;



The **Class I symbol** indicates that this product is protected by means of the additional ground cable. This cable is identified by the yellow/green jacket and is attached to this product.

- The product is rated **IP20**. This means that the product is resistant to the penetration of solid objects >12.5 mm and is not resistant to water or moisture.

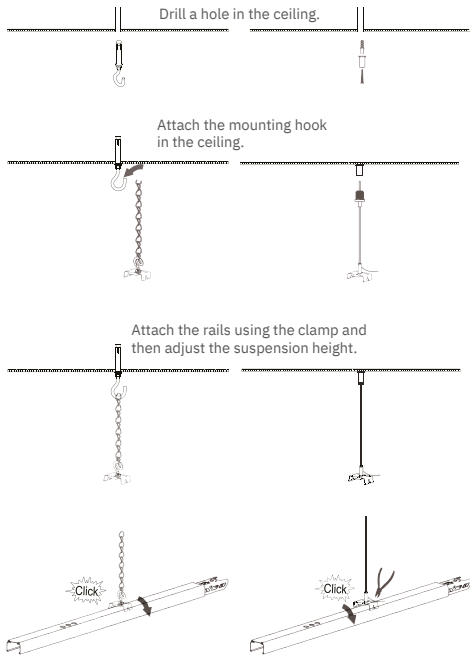


**Step 1**

Installation of suspension

Chain suspension

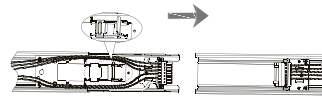
Steel Cable Suspension



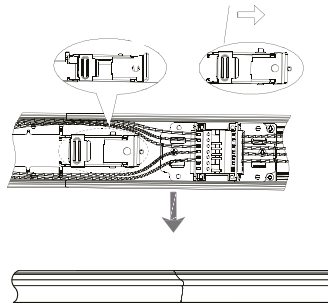
**Step 2**

Fixing Rails

Keep both rails aligned and then press them together.



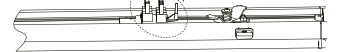
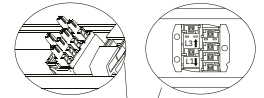
Press the lock and push the rails together.



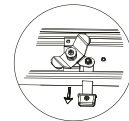
**Step 3**

Mounting LED modules

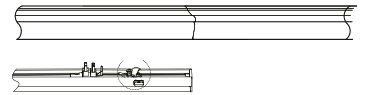
Use the sliders to select phase L1/L2/L3.



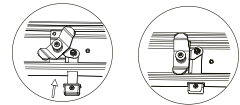
Pull the drawbar



Make sure the male & female connectors are in the right place and attach the LED module to the rail.



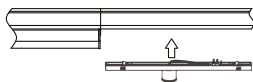
Pull the drawbar



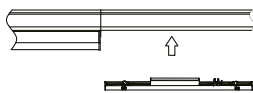
**Step 4**

Attach accessories

Sensor placement



Track rail installation



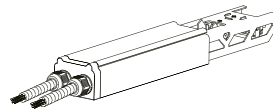
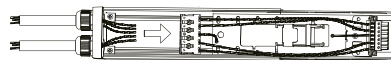
Installing blind cover



**Step 5**

Power Supply Placement

Option 1: Place the cabling inside the box.



Option 2: Use the end cap and input connector to move power.

