

### Features

- OneTrack accessory, short pendant T-bracket in aluminum with screw and nut included. Black.

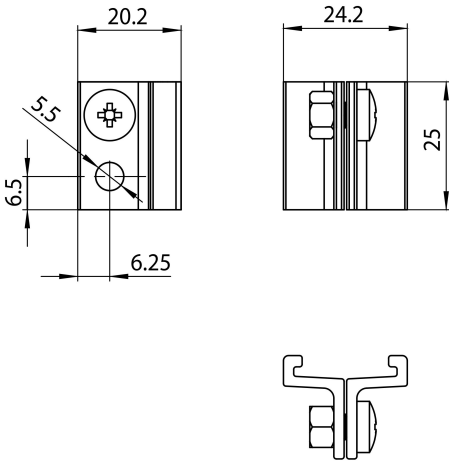


### Product Overview

<b>Product name</b>	ONETRACK SHORT PENDANT T-BRACKET BLK S-9000/313-B
<b>Technology</b>	Accessory
<b>General application</b>	Museums & Galleries, Office
<b>ETIM Class</b>	EC000101
<b>Housing colour</b>	Black
<b>Warranty</b>	5 years

## ONETRACK SHORT PENDANT T-BRACKET BLK S-9000/313-B 9200796

### Technical drawings



### Data table

#### GENERAL DATA

Product name	ONETRACK SHORT PENDANT T-BRACKET BLK S-9000/313-B
Technology	Accessory
General application	Museums & Galleries, Office
ETIM Class	EC000101
Warranty	5 years

#### ELECTRICAL DATA

Control gear required	No
-----------------------	----

## ONETRACK SHORT PENDANT T-BRACKET BLK S-9000/313-B 9200796

### PHYSICAL DATA

Housing colour	Black
Nominal Product Length (mm)	25
Nominal Product Width (mm)	24.2
Nominal Product Height (mm)	20.2
Weight (kg)	0.013

### PACKAGING

Single packaging type	Plastic
Packaging single length / height (cm)	6.0
Packaging single width (cm)	3.1
Packaging single depth (cm)	2.5
Units per outer package	1
Packaging outer length / height (cm)	6.0
Packaging outer width (cm)	3.1
Packaging outer depth (cm)	2.5

### SAFETY DATA

Special purpose lamp	No
Dry applications use only	No
Suitable for household illumination	No