

Features

- OneTrack accessory, short pendant T-bracket in aluminum with screw and nut included. White.

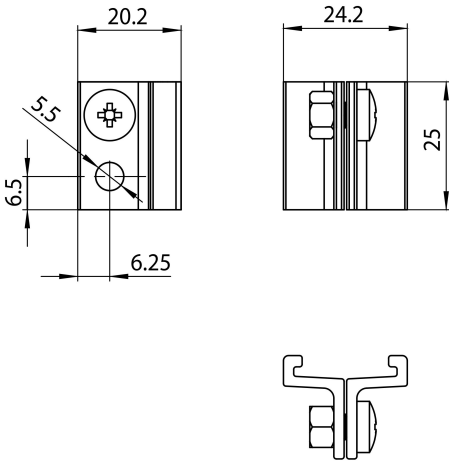


Product Overview

Product name	ONETRACK SHORT PENDANT T-BRACKET WHT S-9000/313-W
Technology	Accessory
General application	Museums & Galleries, Office
ETIM Class	EC000101
Housing colour	White
Warranty	5 years

ONETRACK SHORT PENDANT T-BRACKET WHT S-9000/313-W 9200795

Technical drawings



Data table

GENERAL DATA

Product name	ONETRACK SHORT PENDANT T-BRACKET WHT S-9000/313-W
Technology	Accessory
General application	Museums & Galleries, Office
ETIM Class	EC000101
Warranty	5 years

ELECTRICAL DATA

Control gear required	No
-----------------------	----

ONETRACK SHORT PENDANT T-BRACKET WHT S-9000/313-W 9200795

PHYSICAL DATA

Housing colour	White
Nominal Product Length (mm)	25
Nominal Product Width (mm)	24.2
Nominal Product Height (mm)	20.2
Weight (kg)	0.013

PACKAGING

Single packaging type	Plastic
Packaging single length / height (cm)	5.0
Packaging single width (cm)	3.1
Packaging single depth (cm)	2.5
Units per outer package	1
Packaging outer length / height (cm)	5.0
Packaging outer width (cm)	3.1
Packaging outer depth (cm)	2.5

SAFETY DATA

Special purpose lamp	No
Dry applications use only	No
Suitable for household illumination	No