

ONETRACK LONG SPH SUSP BRACKET BLK S-9000/332-SV-B 9200790



Features

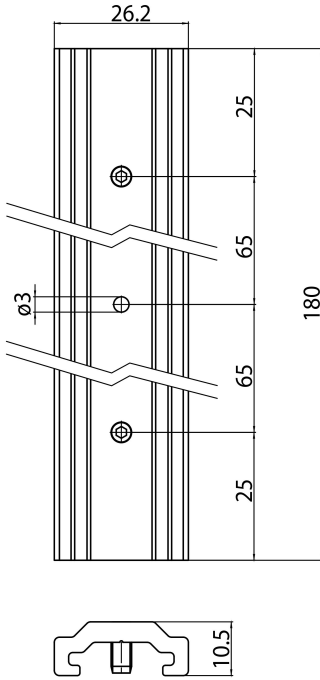
- OneTrack accessory, long pendant bracket for suspensions (to be used with spherical end steel wire), in aluminum. Black.

Product Overview

Product name	ONETRACK LONG SPH SUSP BRACKET BLK S-9000/332-SV-B
Technology	Accessory
General application	Museums & Galleries, Office
ETIM Class	EC000101
Housing colour	Black
Warranty	5 years

ONETRACK LONG SPH SUSP BRACKET BLK S-9000/332-SV-B 9200790

Technical drawings



Data table

GENERAL DATA

Product name	ONETRACK LONG SPH SUSP BRACKET BLK S-9000/332-SV-B
Technology	Accessory
General application	Museums & Galleries, Office
ETIM Class	EC000101
Warranty	5 years

ELECTRICAL DATA

Control gear required	No
-----------------------	----

ONETRACK LONG SPH SUSP BRACKET BLK S-9000/332-SV-B 9200790

PHYSICAL DATA

Housing colour	Black
Nominal Product Length (mm)	180
Nominal Product Width (mm)	26.2
Nominal Product Height (mm)	10.5
Weight (kg)	0.066

PACKAGING

Single packaging type	Plastic
Packaging single length / height (cm)	3.9
Packaging single width (cm)	3.1
Packaging single depth (cm)	2.5
Units per outer package	1
Packaging outer length / height (cm)	3.9
Packaging outer width (cm)	3.1
Packaging outer depth (cm)	2.5

SAFETY DATA

Special purpose lamp	No
Dry applications use only	No
Suitable for household illumination	No