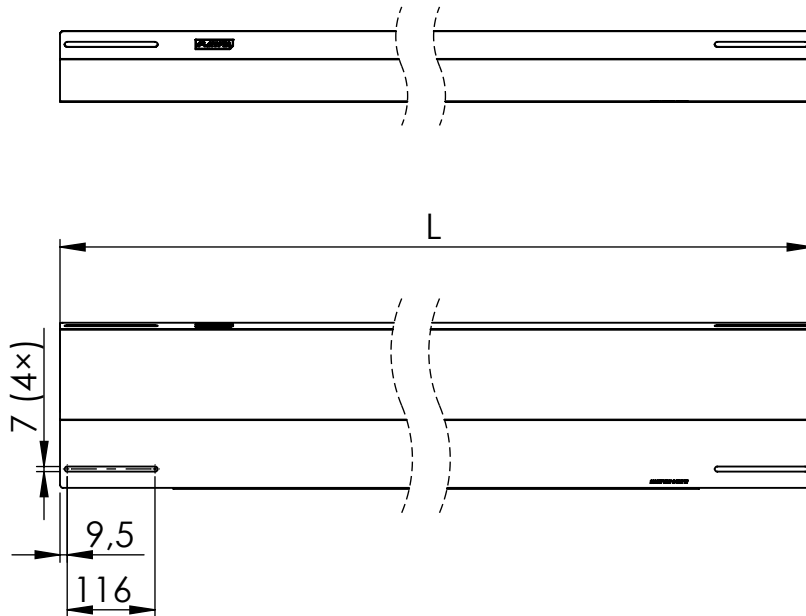
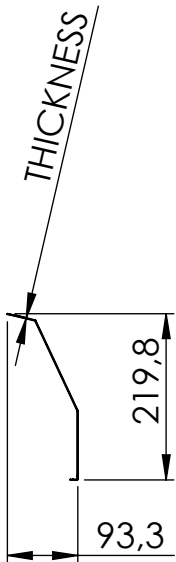
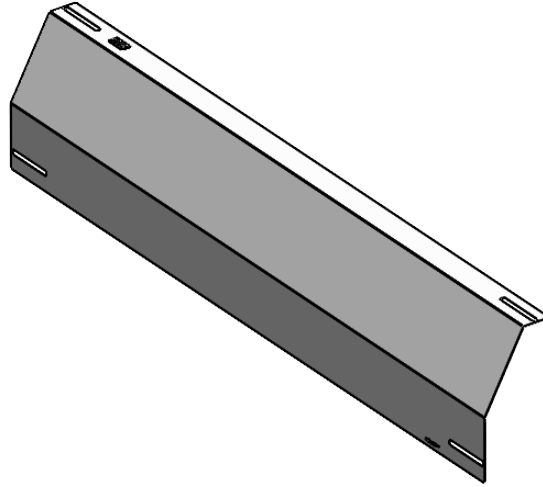


COMMERCIAL DRAWING



ARTICLE NO.	DESCRIPTION	LENGTH L	COLOUR	THICKNESS
100-7201	Rear Deflector 1600	1721	-	0,75mm
100-7201-B	Rear Deflector 1600 Black	1721	Black	0,75mm
100-7240	Rear Deflector 1800	1861	-	0,75mm
100-7240-B	Rear Deflector 1800 Black	1861	Black	0,75mm
100-7212	Rear Deflector 1900	2001	-	0,75mm
100-7212-B	Rear Deflector 1900 Black	2001	Black	0,75mm
100-7218	Rear Deflector 2100	2221	-	1,0mm
100-7231	Rear Deflector 1167 Black	1167	Black	0,75mm

ENSTALL™

PRODUCT: Wind Deflector Rear

ARTICLE NUMBER: See Table

WEIGHT: -

PROJECT FR1401

MATERIAL: 1.0242 (S250GD) Magnelis ZM310

RELEASE DATE: 18-02-2026

ENGINEERING ID: 201077

DISCLAIMER: NO RIGHTS CAN BE DERIVED FROM THE INFORMATION PROVIDED BY THIS DOCUMENT