

Concord

MC2 90° HORIZ-CORNER WHT OPAL 2093155



Features

- 2093155 MC2 90° HORIZ-CORNER WHT OPAL 90 degree horizontal corner accessory, white RAL 9016, trimless detail for a seamless finish, diffuser: opal, ideal for creating corners, squares or U-shape continuous line frameworks, suitable for use on Mini Continuum II.

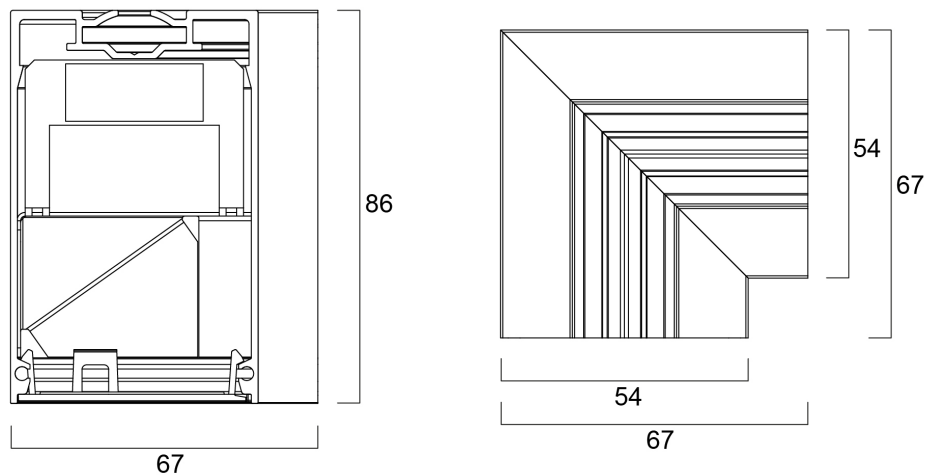
Product Overview

Product name	MC2 90° HORIZ-CORNER WHT OPAL
Technology	Accessory
Housing	Aluminium
Mount	Track mounting
Environment	Internal
E-number FI	4237860
Colour Variation Initial (SDCM)	3
Housing colour	White
IP rating	IP20
IK rating	IK02
Product EAN number	5025768931552
Warranty	5 years

Concord

MC2 90° HORIZ-CORNER WHT OPAL 2093155

Technical drawings



Data table

GENERAL DATA

Product name	MC2 90° HORIZ-CORNER WHT OPAL
Technology	Accessory
Housing	Aluminium
Mount	Track mounting
Environment	Internal
E-number FI	4237860
Warranty	5 years

OPTICAL DATA

Colour Variation Initial (SDCM)	3
Adjustable chromaticity	N

ELECTRICAL DATA

Control gear required	No
-----------------------	----

Concord

MC2 90° HORIZ-CORNER WHT OPAL 2093155

PHYSICAL DATA

Housing colour	White
IP rating	IP20
IK rating	IK02
Diffuser finish	Opal
Weight (kg)	0.5

PACKAGING

Single packaging type	Plastic
Product EAN number	5025768931552
Packaging single width (cm)	20.0
Packaging single depth (cm)	10.0
DUN14 (outer)	05025768931552
Packaging outer length / height (cm)	15.0

SAFETY DATA

Special purpose lamp	No
Dry applications use only	No
Suitable for household illumination	No