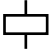


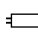

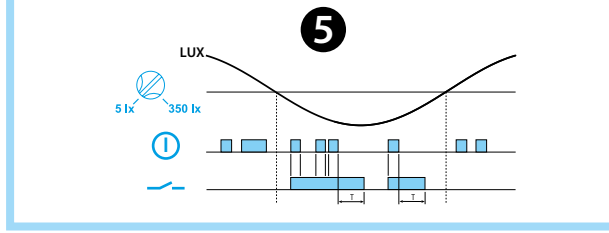
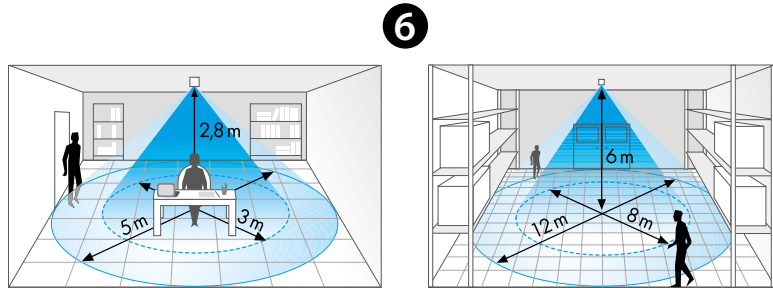
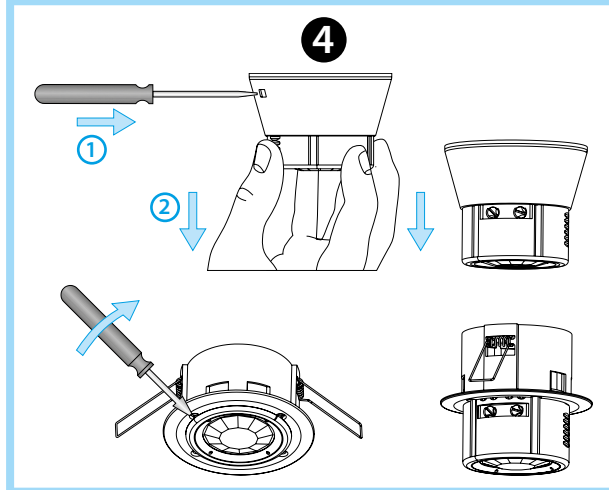
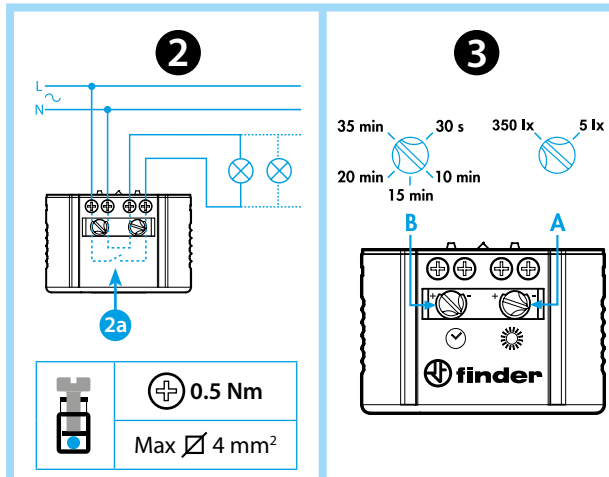
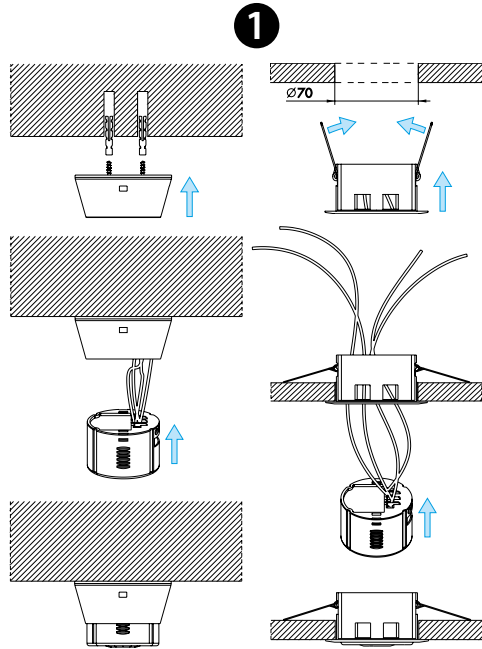




EN 60669 - 1 / EN 60669 - 2 - 1	
	18.31.8.230.0031 U _N (120...230)V AC (50/60 Hz) U _{min} 96 V AC U _{max} 253 V AC P 2 V A (50 Hz) / 1 W
	1 NO (SPST-NO) 10 A 120 V AC 10 A 230 V AC
	AC1 2300 VA AC15 (120 V AC) 250 VA AC15 (230 V AC) 450 VA
	(120 V AC) 500 W (230 V AC) 1000 W
	(120 V AC) 200 W (230 V AC) 350 W CFL-LED (230 V AC) 300 W
	(-10...+50)°C
IP40	



ENGLISH

18.31 PIR MOVEMENT AND PRESENCE DETECTOR FOR APPLICATIONS WITH HIGH CEILINGS (up to 6 meters)

1 INSTALLATION SEQUENCE

2 CONNECTION DIAGRAM

2a Internal connections

3 SETTINGS

A ambient light intervention threshold (5...350)lx

B output on-pulse time (30s...35min)

NOTE

By adjusting the selector A to the maximum value the PIR will control the contact independent of the ambient light level

4 DISASSEMBLY

5 FUNCTION CHART

① Detection of movement

— Output Contact

6 SIDE VIEW

(Sensing area - Ceiling mounting)

Sensing area 110°

NOTE

Following the initial power-on, and power-on following a power interruption, the detector makes a hardware-software initialisation for approximately 30 seconds