



### Features

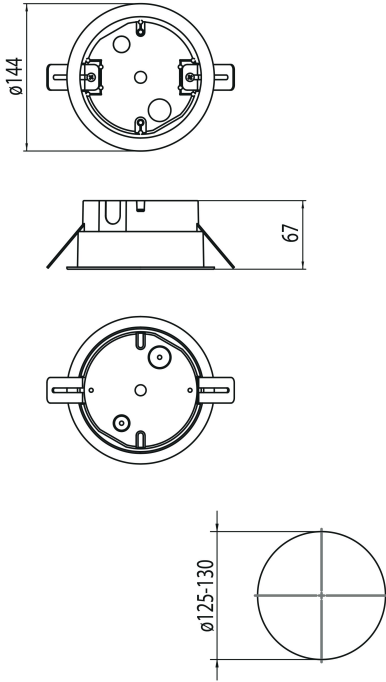
- OneTrack accessory, fix-point for surface mounting, Polycarbonate body, steel springs Max load: 50N. Fixing thickness: 1-30mm. White.

### Product Overview

|                            |   |
|----------------------------|---|
| <b>Product name</b>        | ONETRACK RECESSED BOX FIX POINT WHITE<br>9000/BRU-W |
| <b>Technology</b>          | Accessory   |
| <b>General application</b> | Museums & Galleries, Office                         |
| <b>ETIM Class</b>          | EC000101  |
| <b>Housing colour</b>      | White   |
| <b>Warranty</b>            | 5 years   |

## ONETRACK RECESSED BOX FIX POINT WHITE 9000/BRU-W 9200753

### Technical drawings



### Data table

#### GENERAL DATA

|                     |  |
|---------------------|--|
| Product name        | ONETRACK RECESSED BOX FIX POINT WHITE 9000/BRU-W |
| Technology          | Accessory  |
| General application | Museums & Galleries, Office                      |
| ETIM Class          | EC000101   |
| Warranty            | 5 years  |

#### ELECTRICAL DATA

|                       |    |
|-----------------------|----|
| Control gear required | No |
|-----------------------|----|

## ONETRACK RECESSED BOX FIX POINT WHITE 9000/BRU-W 9200753

### PHYSICAL DATA

|                               |       |
|-------------------------------|-------|
| Housing colour                | White |
| Nominal Product Height (mm)   | 67    |
| Nominal Product Diameter (mm) | 144   |
| Weight (kg)                   | 0.14  |

### PACKAGING

|                                       |                              |
|---------------------------------------|------------------------------|
| Single packaging type                 | Mix(80% carton, 20% plastic) |
| Packaging single length / height (cm) | 13.0                         |
| Packaging single width (cm)           | 6.0                          |
| Packaging single depth (cm)           | 13.0                         |
| Units per outer package               | 1                            |
| Packaging outer length / height (cm)  | 13.0                         |
| Packaging outer width (cm)            | 6.0                          |
| Packaging outer depth (cm)            | 13.0                         |

### SAFETY DATA

|                                     |    |
|-------------------------------------|----|
| Special purpose lamp                | No |
| Dry applications use only           | No |
| Suitable for household illumination | No |