

8

7

6

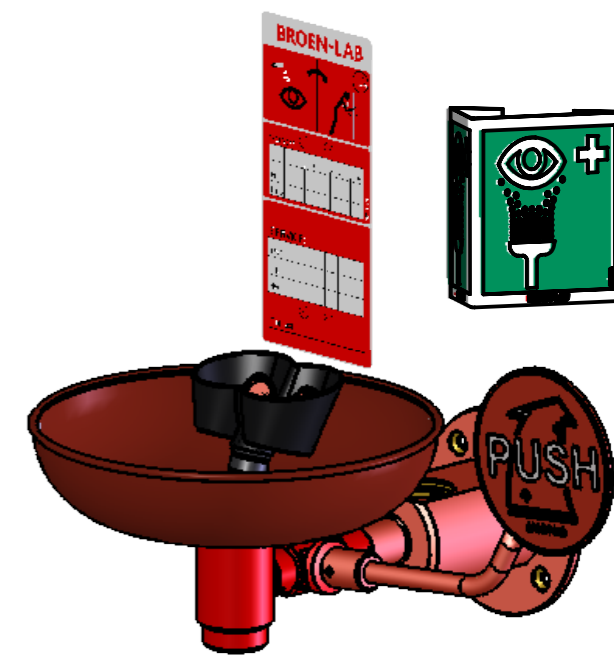
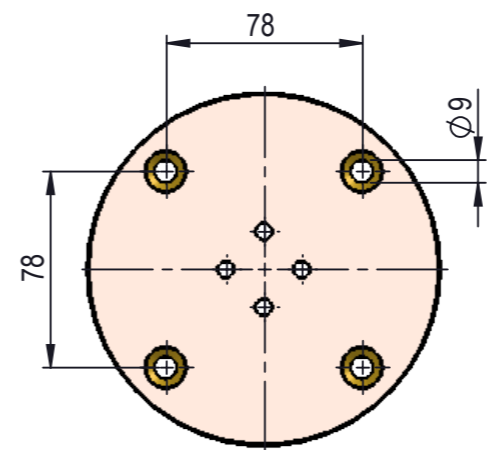
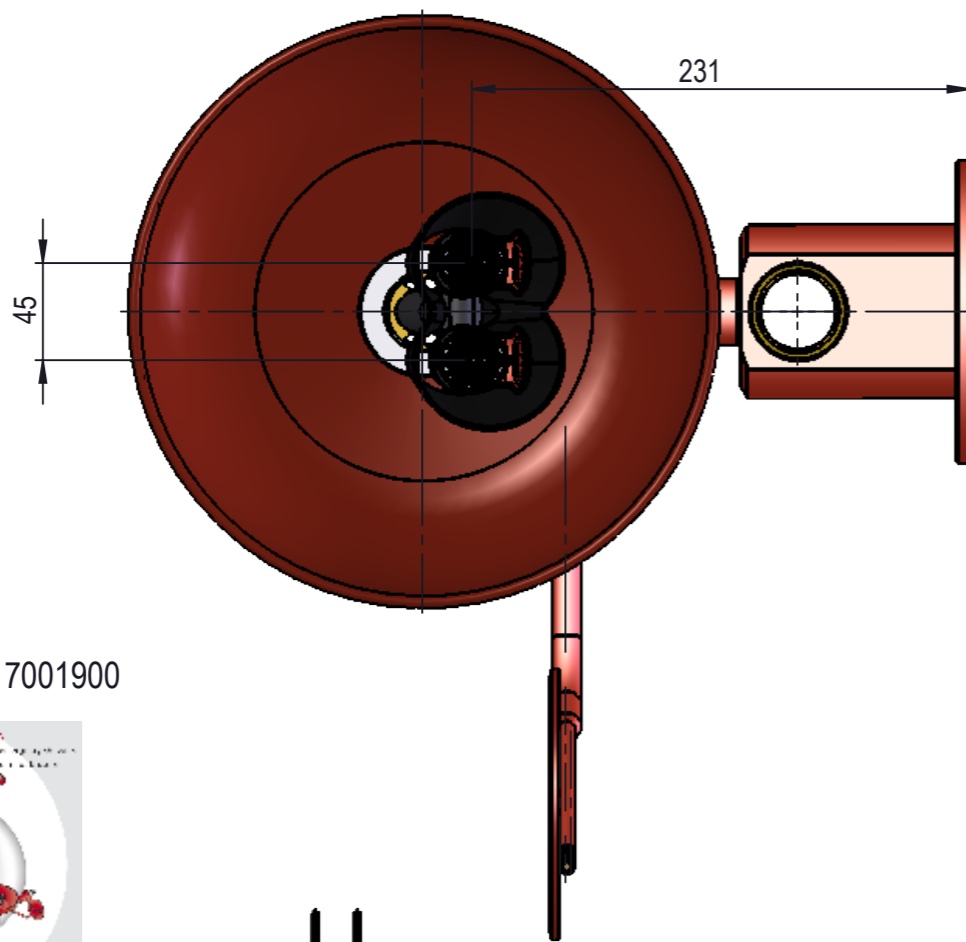
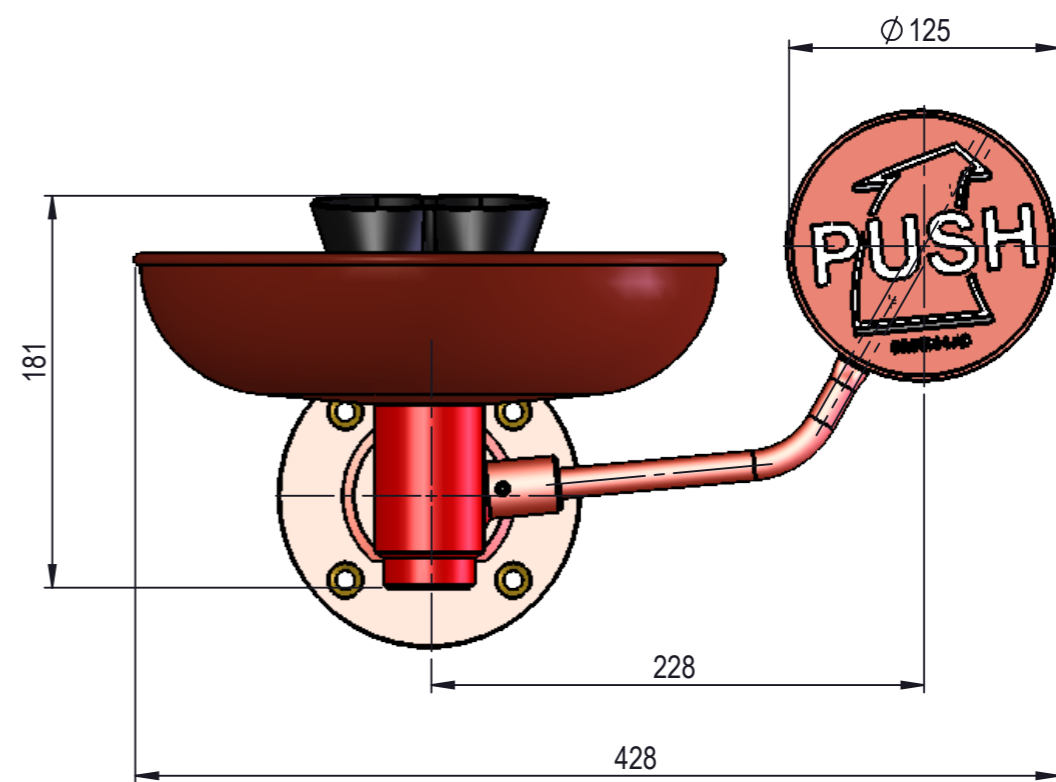
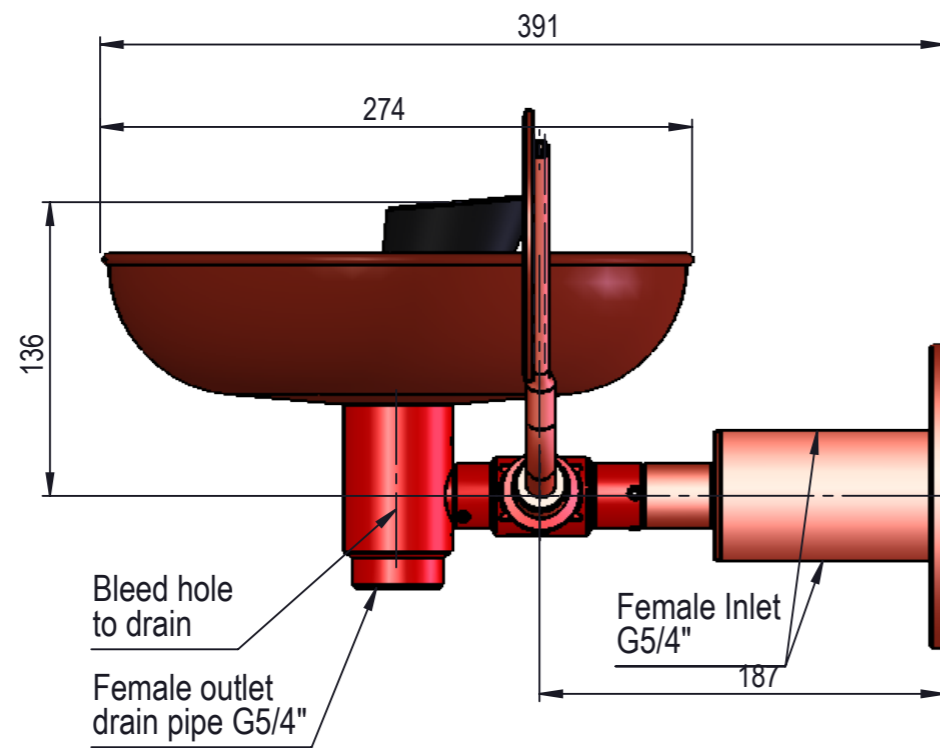
5

4

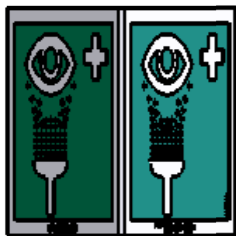
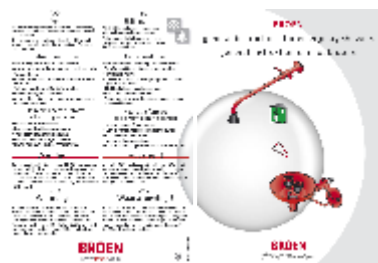
3

2

1



Signs & Instructions: 17001900



Description:		Eye shower, wall mounted	
Media:		Water	
Material:			
Specification:		Recirculating	
Comments:		Legionella	
Drawing type:		Customer drawing	Weight: 6.368 Kg
All dimensions made with are inspection dimensions			
Unspecified liniar tolerances:		Unspecified angular tolerances:	
Designed by:	Drawn by:	Released on TM No.	Date:
TLA	TLA	7096	13-02-18
Format:	Drawing No.:		17548009C
A3			

Rev.	Pos.	Date	TM No.	Design by	Drawn by:	Change:

BROEN-LAB This drawing is our property and cannot be given to a third party, copied or otherwise used without our permission. BROEN-LAB A/S

