

Technical data sheet

Symmetrical floor support, crossbeam 200

Item number: 6044402



Crossbeam of the symmetrical floor support for the BKRS system, suitable for base type BSSU 190 2030. Can be used for walkable cable trays of width 200 mm. With threaded unions for cut-free mounting of cable trays. Fastening to base with 4x FKS M6 flat-head screws. Fastening material must be ordered separately.



- St** Steel
- FS** Strip galvanized

Master data

Item number	6044402
Type	BSST 200 FS
Description 1	Symmetrical floor support
Description 2	Traverse, width 200 mm
Manufacturer	OBO
Dimension	B200mm
Colour	zinc
Material	Steel
Surface	Strip galvanized
Surface standard	DIN EN 10346
Smallest sales unit	1
Unit of quantity	Piece
Weight	34.3 kg
Weight unit	kg/100 pc.
CO2 Footprint (GWP) Cradle-to-Gate	1,129 kg CO2e / 1 Piece

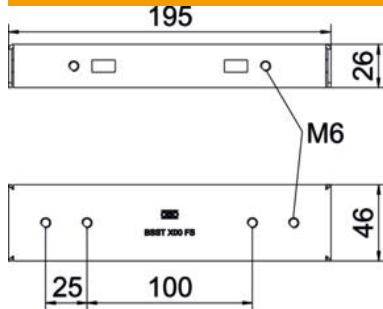
Technical data sheet

Symmetrical floor support, crossbeam 200

Item number: 6044402



Dimensions



Length	46 mm
Width	195 mm
Height	26 mm
Dimension B	195 mm
Dimension L	100 mm

Technical data

Version for	Miscellaneous
Suitable for mesh cable tray	no
Suitable for cable ladder	no
Suitable for cable tray	yes
Suitable for cable support system width, max.	200 mm
Suitable for cable support system width, min.	200 mm
Suitable for tray/ladder width	200 mm
Tray fastening	Screw-on
Rustproof steel, pickled	no