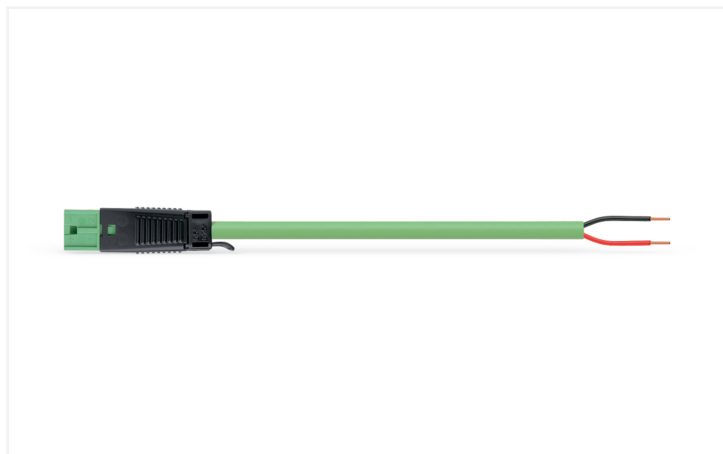


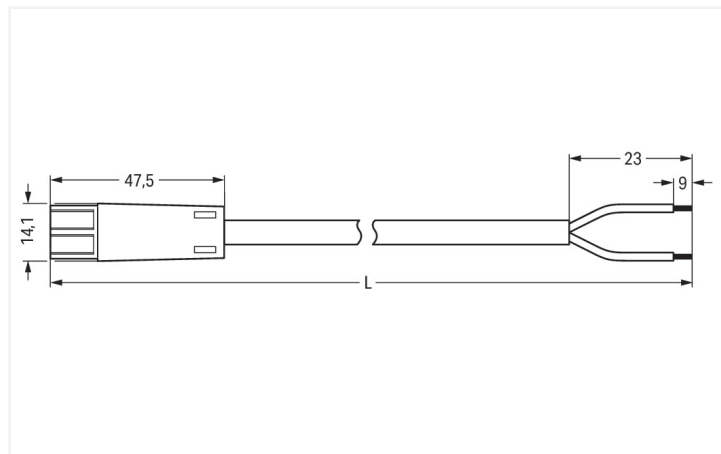
## Data Sheet | Item Number: 894-8392/273-606

pre-assembled connecting cable; Cca; Plug/open-ended; 2-pole; Cod. E; Y-H(St)Hh  
1x2x0,8; 6 m; green

<https://www.wago.com/894-8392/273-606>



Color: ■ green



Dimensions in mm

### Cable assembly WINSTA® KNX with protection against mismatching

The WINSTA® KNX cable assembly with protection type IP20 allows installation of solid and fine-stranded conductors. Our pluggable installation connectors with spring pressure connection technology function entirely without screw connections. They allow flexible, error-free installation in numerous possible uses. For greater security in electrical installations, the pluggable installation connector is equipped with mechanical protection against mismatching. The pluggable installation connector offers protection against contact with live components in accordance with protection type IP20 (Only when mated and secured with a strain relief housing (These compact connectors are not designed for use in open, easily accessible areas.)). The KNX protocol allows different equipment within one building system to be linked together. WINSTA® KNX pluggable installation connectors with E coding are primarily used in KNX applications. Mandatory compliance with fire protection regulations is a crucial issue for building installation. Especially in sensitive areas, the fire class must meet or even exceed legal requirements. This product complies with the requirements of fire class C. In the manufacturing of this cable assembly, halogens were deliberately omitted. That is an important contribution to climate protection.

### Pluggable connections instead of screw connections – cable assemblies from WAGO

The cable is pre-assembled with a plug and a free end. The WINSTA® Pluggable Connection System allows pluggable electrical installation. This saves time, lowers costs, and reduces the need for servicing. Choose quality and durability – with strain relief hosting from WAGO makes the installation of electrical components significantly easier.

- saves time, since no wiring is required at the construction site
- with E coding for supplying auxiliary power to I/O devices
- ready to install and use immediately
- quick replacement of defective units during ongoing operation

### Notes

Note Cables with a different fire class can be found in the eShop.

### Electrical data

Ratings per	IEC/EN 60664-1		
Overvoltage category	III	III	II
Pollution degree	3	2	2
Nominal voltage	50 V	-	-
Rated impulse withstand voltage	0.8 kV	-	-
Rated current	3 A	-	-

### General information

Note on contact resistance Approx. 3 mΩ contact resistance

## Connection Data

Total number of potentials	2	<b>Connection 1</b>	
Conductor preparation	stripped	Conductor diameter	0.8 mm
		Strip length	9 mm / 0.35 inches
		Pole number	2
		Strip length (outer insulation)	23 mm
		Connection type	Plug - free end

## Physical data

Width	14.1 mm / 0.555 inches
Height	11.1 mm / 0.437 inches
Total length	6 m

## Mechanical data

Technology	KNX
Coding	E
Variable coding	No
Marking	1+ 2-
Potential marking	1+ 2-
Mating force of a plug-in connection	Approx. 10 ... 15 N
Retention force of a plug-in connection	when locked: > 80N
Unmating force of a plug-in connection	Unlocked: approx. 15 ... 20 N
Number of mating cycles	200
Connection type	Plug - free end
Type of pre-assembled cable	Connecting cable
Cable type	Y-H(St)Hh 1x2x0.8
Protection type	IP20; Only when mated and secured with a strain relief housing (These compact connectors are not designed for use in open, easily accessible areas.)

## Plug-in connection

Mismating protection	Yes
Note on mismating protection	All <i>WINSTA</i> ® components are 100% protected against mismating when: a.) plugging different numbers of poles b.) plugging while rotated 180 c.) plugging while laterally staggered d.) plugging one pole

## Material data

Note (material data)	<a href="#">Information on material specifications can be found here</a>
Color	green
Material group	I
Insulation material (main housing)	Polyamide (PA66)
Flammability class per UL94	V0
Fire class per EN 50575	C <sub>ca</sub>
Contact material	Copper alloy; surface-treated
Contact Plating	Tin
Fire load	0.171 MJ
Connector color	green
Strain relief color	black
Sheathed cable color	green
Printing color of sheathed cable	black
Halogen-free	Yes
Silicon-free	Yes

### Material data

Sheath material	Halogen-free
Rubber cable	No
Weight	239.3 g
Copper weight of the raw cable	0.01 kg/m

### Environmental requirements

Processing temperature	-5 ... +40 °C
Continuous operating temperature	-35 ... +85 °C
Note on continuous operating temperature	Cable for temperatures ≤ 70 °C (including halogen-free) Insulating parts for temperatures ≤ 105 °C

### Commercial data

PU (SPU)	1 pcs
Packaging type	unpacked
Country of origin	PL
GTIN	4066966254389
Customs tariff number	85444290900

### Product Classification

UNSPSC	26121629
ETIM 9.0	EC002587
ETIM 10.0	EC002587
ECCN	NO US CLASSIFICATION

### Environmental Product Compliance

RoHS Compliance Status	Compliant, No Exemption
------------------------	-------------------------

### Downloads

#### Environmental Product Compliance

##### Compliance Search

Environmental Product  
Compliance  
894-8392/273-606

