

Thermostatic Emergency Mixing Valve for body-, eye- and combi showers

Adjustable outlet temperature, approx. 22°C / 72°F to 28°C / 82°F

Fail safe on hot and cold side:

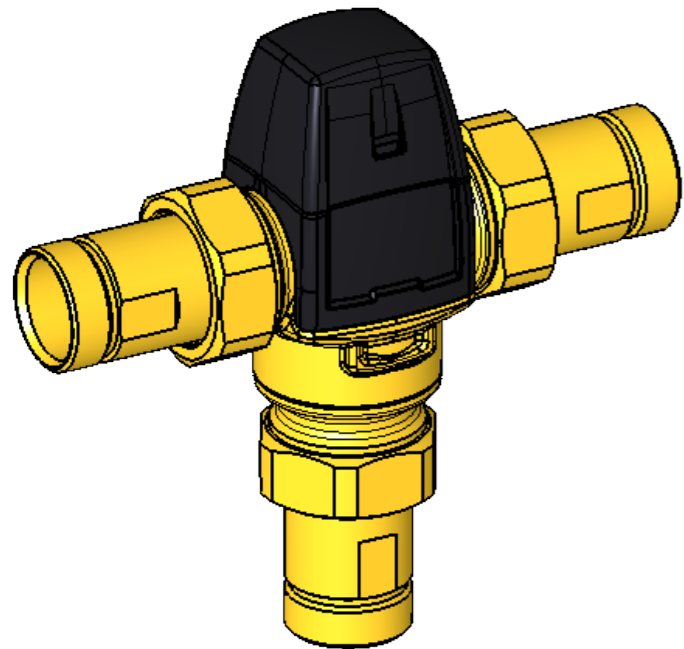
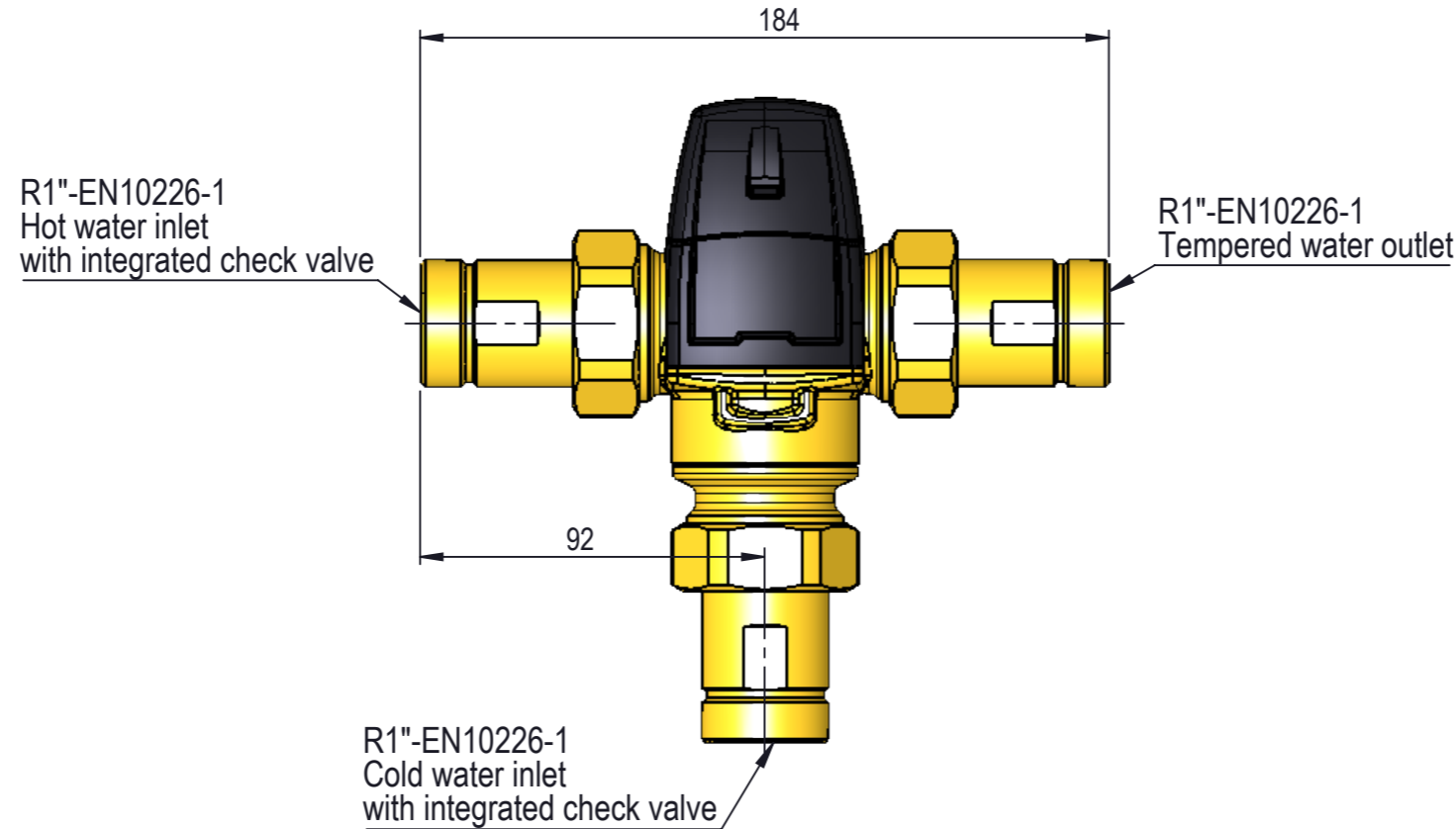
- Anti-scalding device on hot side
- Intentional leak on cold side
- Integrated check valve on hot and cold inlet

Intentional leak at bigger differential pressure hot/cold than 0,5 bar / 7,3 psi: Cold water only : 2,7 m³ / h / 11,9 US-gpm

Housing material DZR brass

Kv-valve : 4,7 m³ / h / 20,7 US-gpm

Min. pressure: 1,5 bar / 21,8 psi



Description:		Fixed thermostatic mixing valve	
Media:		Water	
Material:			
Specification:		R1" Male connection	
Comments:		For emergency showers	
Drawing type:		Customer drawing	Weight: 1,533 Kg
All dimensions marked with are inspection dimensions			
Unspecified linear tolerances:		Unspecified angular tolerances:	
Designed by:	Drawn by:	Released on TM No.:	Date:
	TLA		30-11-20
Format: A3		Drawing No.: 17513009	

Rev.	Pos.	Date	TM No.	Design by	Drawn by	Change:
B	C7	30-11-20	8348	PEC	PEC	Adjustable outlet temperature

This drawing is our property and cannot be given to a third party, copied or otherwise used without our permission. BROEN-LAB A/S

