

33 860 875 Product version up to 7/24/2018



- 240mm projection
- pivotable 360°
- air-enriched flow and spray flow
- height of mixer 685 mm
- height up to aerator 129 mm
- hole diameter 35 mm
- sprayface with anti-scaling system
- max. flow 8 l/min at 3 bar flow pressure
- lead-free
- This product can help a building meet the requirements of Green Building Rating Systems, e.g. LEED®, BREEAM®, DGNB

Intrinsic protection against back flow.

	Brushed Platinum	33 860 875-06
	Chrome	33 860 875-00
	Platinum	33 860 875-08
	Dark Chrome	33 860 875-19
	Brushed Dark Brass (PVD)	33 860 875-39
	Brushed Bronze (PVD)	33 860 875-42
	Brushed Dark Bronze (PVD)	33 860 875-43
	Brushed Chrome	33 860 875-93
	Brushed Dark Platinum	33 860 875-99

Recommended miscellaneous

Strainer waste with control handle - Brushed Platinum 10 712 970-06

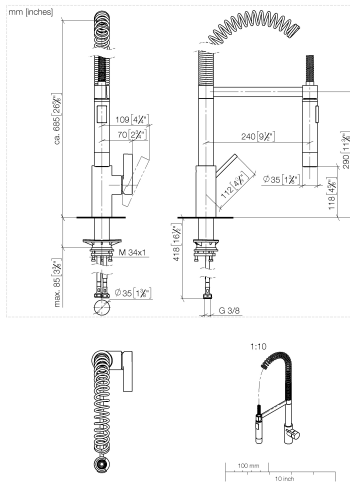


Recommended miscellaneous

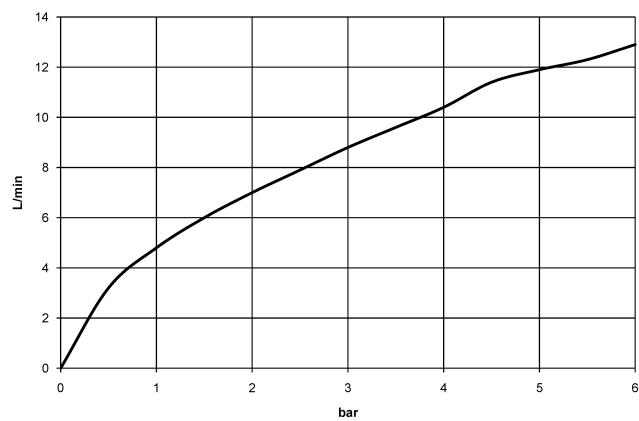
Dispenser without rosette - Brushed Platinum 82 424 970-06



33 860 875 Product version up to 7/24/2018



Flow rate chart



Codes & Standards

DIN 4109

EN 1717

ISO 3822

Ü-Zeichen



TARA ULTRA Profi single-lever mixer - Brushed Platinum

TARA ULTRA

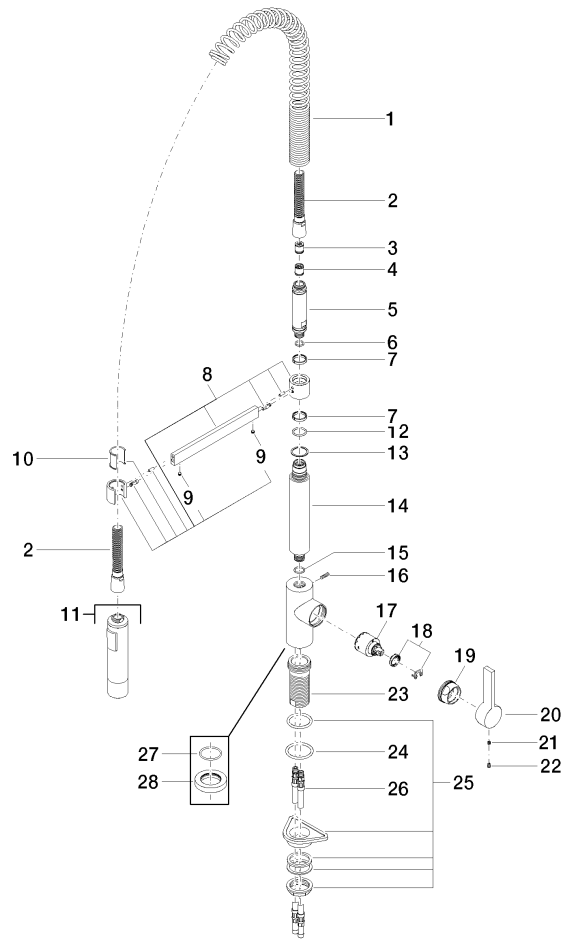
33 860 875 Product version up to 7/24/2018

Certificates and sustainability

LGA_18	Belgaqua_22_277_2	EPD-DOR-20230287 -IBA1-EN Environmental.prod uct-declarat
--------	-------------------	--

33 860 875 Product version up to 7/24/2018

Parts for other finishes can be found here: [Chrome](#)



Spare parts list

No.	Item Number	Name	Quantity used	Delivery time
1	09 16 02 035 90	Spring for Profi spray sets 240 mm -	1.00	14
22	09 31 20 017 90	Plug Masking plug -	1.00	-
Spare part can no longer be ordered, please order the replacement item				
	09312010990	Plug -		
26	04 30 04 016 00 90	High pressure hose M10x1 x 420 mm -	2.00	-
Spare part can no longer be ordered, please order the replacement item				
	0430041040090	High pressure hose M10x1 x 3/8" x 420 mm -		
27	09 14 10 149 90	O-Ring 34 x 2,5 mm -	1.00	14
25	04 23 10 044 02 90	Mounting with seals M34 x 1 -	1.00	14
19	09 24 04 107-06	Connection Ø 40 x 20 mm - Brushed Platinum	1.00	20
18	90 28 10 148 00 90	Temperature limitation ring -	1.00	14
11	04 12 11 092 10-06	Rinsing spray Ø 35 x 165 mm - Brushed Platinum	1.00	20
21	90 31 11 030 00 90	Mounting Threaded pin with hexagon socket with cup point M5 x 5 mm -	1.00	14
12	09 14 10 100 90	O-Ring EPDM 70 20,0 x 2,5 mm -	1.00	14
3	09 23 01 046 90	Back-flow preventer 15 l/min. -	1.00	14
15	90 14 10 055 00 90	O-Ring EPDM 70 15,0 x 2,0 mm -	1.00	14
23	09 30 01 111 20 90	Connection Ø 40 x 68 mm -	1.00	14
2	90 30 02 065 00-06	Tube 1/2" x 1/2" x 775 mm - Brushed Platinum	1.00	20
14	09 11 10 072 10-06	Connection Ø 35 x 206,5 mm - Brushed Platinum	1.00	20
4	90 23 01 141 00 90	Back-flow preventer -	1.00	14
7	09 14 15 024 90	Support ring Ø 25 x 5,5 mm -	2.00	14
5	09 30 01 067 10-06	Connection Ø 24,5 x 115,5 mm - Brushed Platinum	1.00	-
Spare part can no longer be ordered, please order the replacement item				
28	09 28 10 035-06	Rosette Ø 55 x Ø 38,6 x 10 mm - Brushed Platinum	1.00	20
8	04 17 20 029 00-06	Holder 275 x 35 x 30 mm - Brushed Platinum	1.00	20
20	09 20 79 040-06	Handle Lever 120 x 43 x 23 mm - Brushed Platinum	1.00	20
16	04 31 11 113 00 90	Mounting Threaded pin M5 x 12 mm -	1.00	14
6	90 14 10 077 00 90	O-Ring EPDM 70 12,0 x 2,0 mm -	1.00	14
10	09 18 40 118 90	Sleeve Ø 27,5 x 30 mm -	1.00	14
24	90 14 10 043 00 90	O-Ring 40,0 x 4,0 mm -	1.00	14
13	09 28 10 122 90	Ring Ø 25 x Ø 30 x 1 mm -	1.00	14
9	90 31 11 112 00 90	Mounting Threaded pin M5 x 6 mm -	2.00	14
17	90 15 05 061 00 90	Cartridge black Ø 35 x 52 mm -	1.00	-
Spare part can no longer be ordered, please order the replacement item				
	9015050450090	Cartridge black Ø 35 x 52 mm -		