

Product data sheet Spirotech

Product name

EMCK Duo 75L max 5,6bar

Product properties

The MultiControl Kompakt DUO is an automatic expansion and pressure-maintaining device, with 2 pumps (2x 50%) and an overflow valve. An unpressurised expansion tank is integrated.

- contains 2 pumps (2x 50%)
- contains 1 overflow valve (1x 100%)
- Operational pressure range up to 8.1 bar
- Comes with vessel volumes from 45 to 500 liters
- Two further vessels can be added.
- Maximum expansion volume: 75 – 1,500 litres
- The maximum temperature at the point of connection: 70°C (over 70°C possible with auxiliary tank)
- Maximum safety temperature in the system: 110°C
- Maximum operating pressure (PN): 10 bar

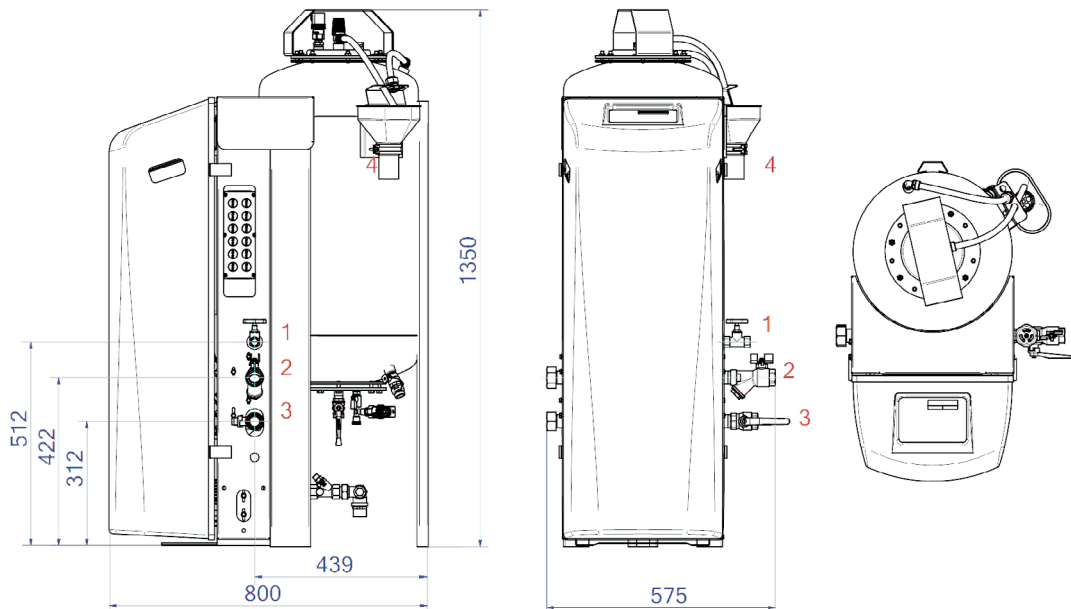
Article number

EMCK-D75-5.6

Product image



Product dimensions



1. Refill connection Rp1/2
2. Expansion overflow pipe Rp1

3. Expansion pressure pipe Rp1
4. Drain funnel tank safety valve DN50 Geberit

Product data sheet Spirotech

ETIM product data

| | | | |
|--------------------------------|----------------------------|---------------------------------------|-------------|
| Height | 1375 mm | Double pump | Yes |
| Volume | 75 l | With exchangeable membrane | Yes |
| Max. operating pressure | 5.6 bar | Compressor in base | No |
| Connection | Other | Nominal diameter expansion connection | 1 inch (25) |
| Power consumption | 1.1 kW | Max. medium temperature (continuous) | 70 °C |
| Couplable | Yes | For heating systems up to | 1 MW |
| Electrical connection | Connection cable with plug | Horizontal positioning | No |
| Function master/slave | No | Connection voltage | 230 V |
| With pressure expansion vessel | Yes | Article compression class | PN 10 |
| Digital control unit | Yes | | |

Disclaimer

This product sheet has been compiled with the greatest possible care. Nevertheless, it may contain errors or omissions. For the most current and correct information we refer you to our website

