

NOT1745
04.24

Saniwall Pro Up



GLASS VERSION ✨



STYLE VERSION ✨



TILE VERSION ✨

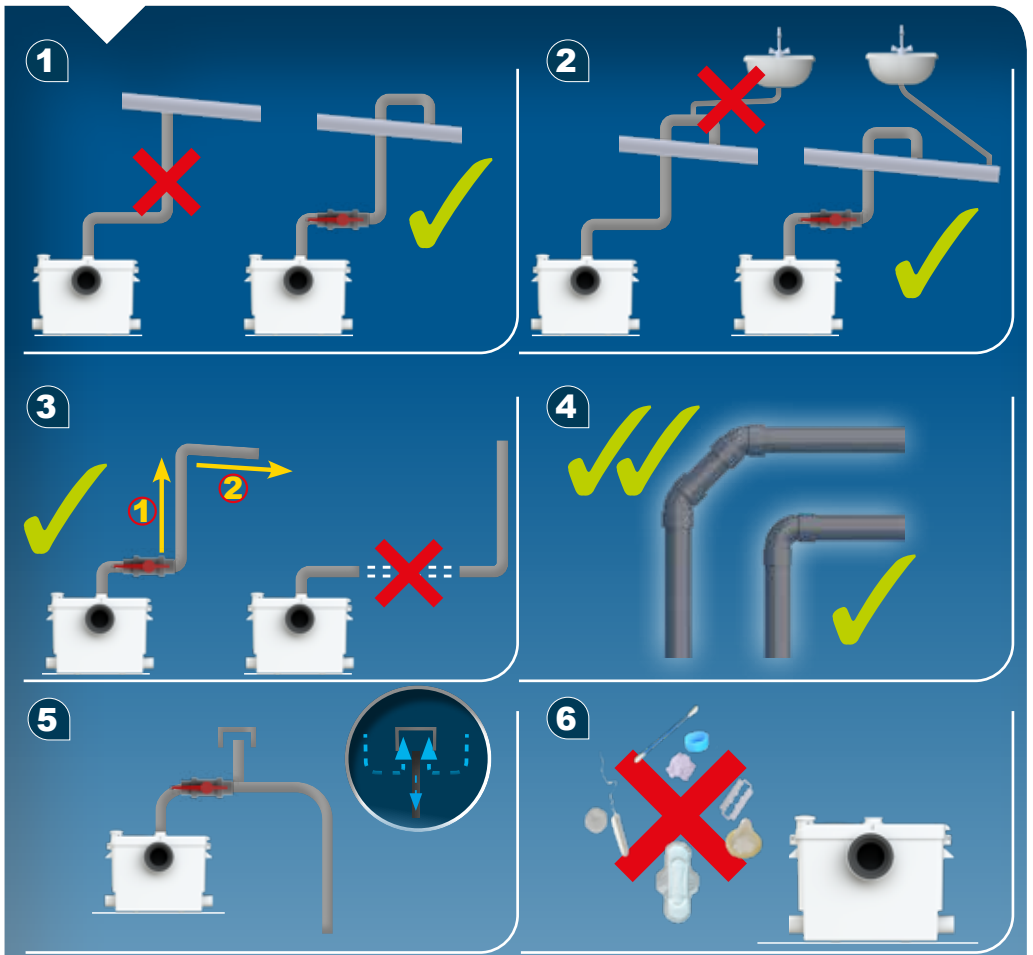
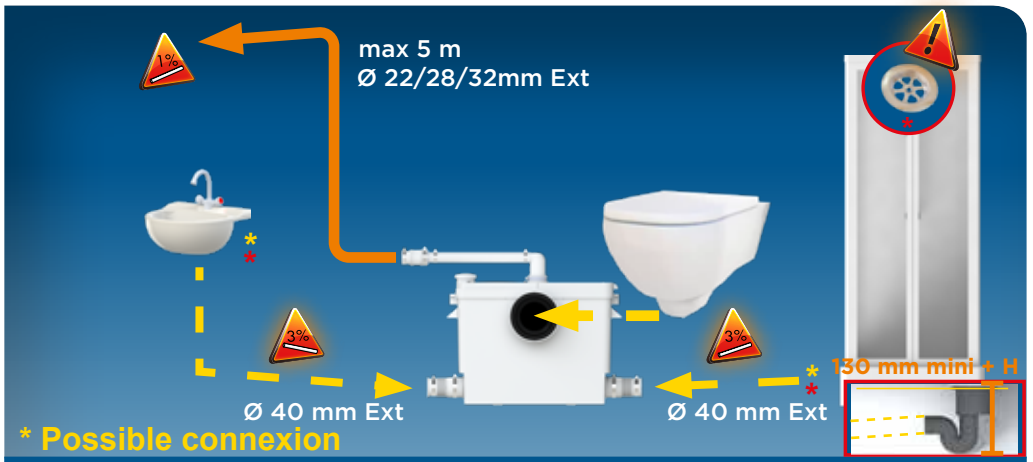


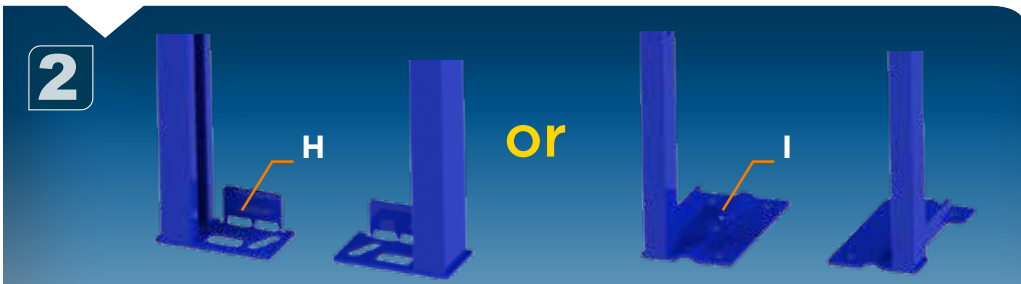
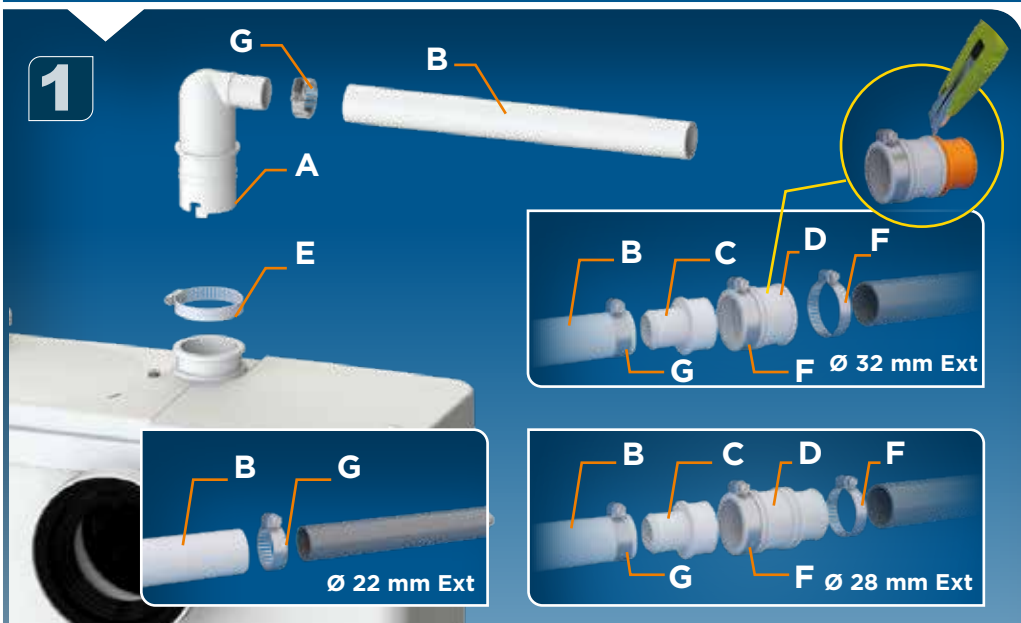
- FR** NOTICE D'INSTALLATION
- UK** INSTALLATION INSTRUCTIONS
- DE** INSTALLATIONSHINWEISE
- IT** STRUZIONI PER L'INSTALLAZIONE
- ES** MANUAL DE INSTALACIÓN
- PT** MANUAL DE INSTALAÇÃO
- NL** INSTALLATIE VOORSCHRIFTEN
- SE** INSTALLATIONSANVISNING

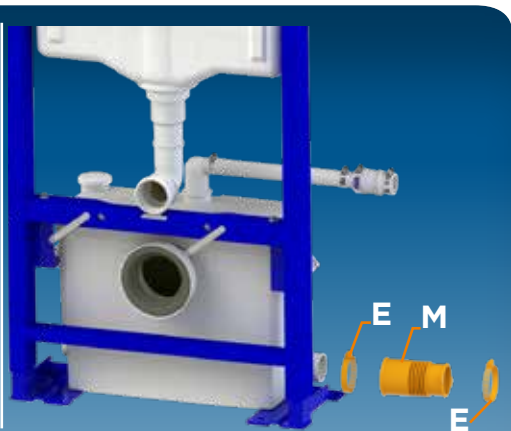
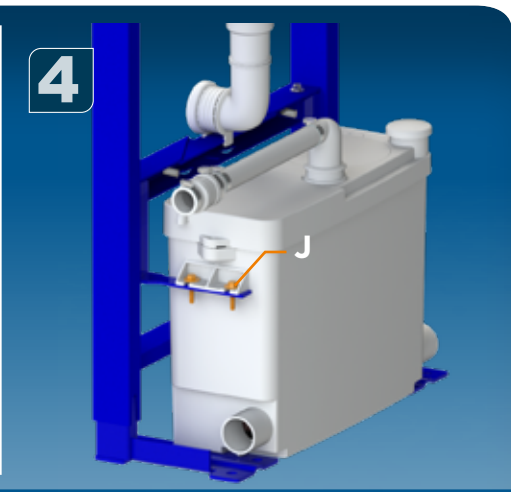
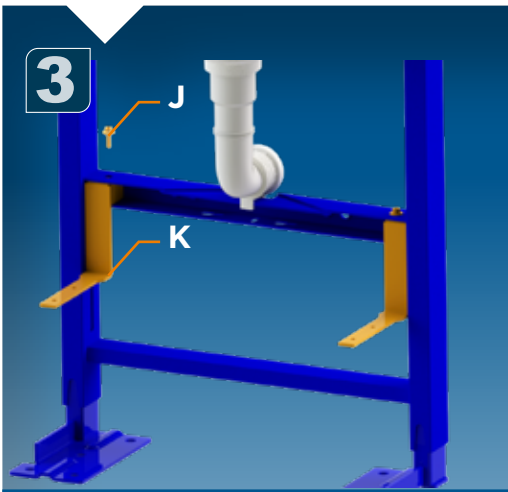
- DK** INSTALLATIONSVEJLEDNING
- NO** INSTALLASJONSANVISNING
- FI** ASENNUSOHJEET
- HU** FELSZERELÉSI ÉS KEZELÉSI ÚTMUTATÓ
- PL** INSTRUKCJA INSTALACJI
- RU** ИНСТРУКЦИЯ ПО МОНТАЖУ И ЭКСПЛУАТАЦИИ
- RO** MANUAL DE INSTALARE
- CZ** NÁVOD K INSTALACI A POUŽÍVÁNÍ

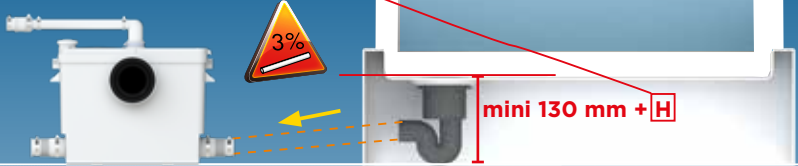
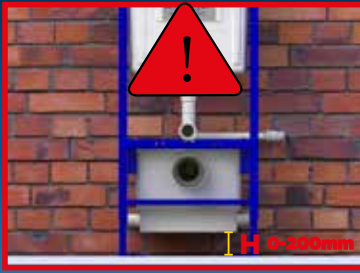
- TR** KURULUM KILAVUZU
- EL** ΟΔΗΓΙΕΣ ΕΓΚΑΤΑΣΤΑΣΗΣ
- CN** 用户应保留安装指南以备用
- KR** 설치내용서
- HR** UPUTA ZA INSTALACIJU
- AR** بيكرتلا قيرط





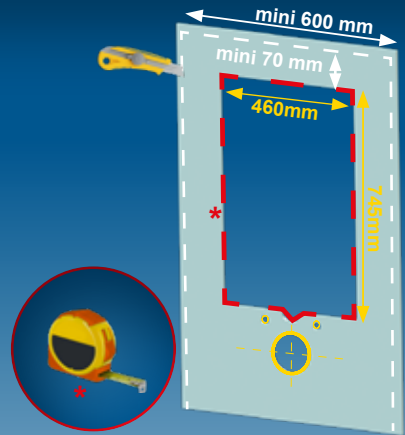
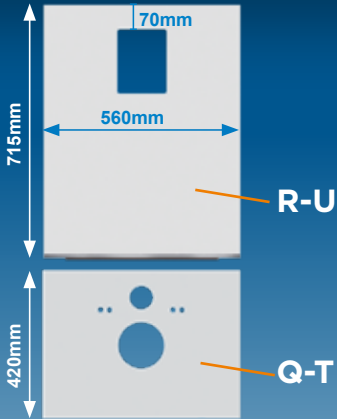




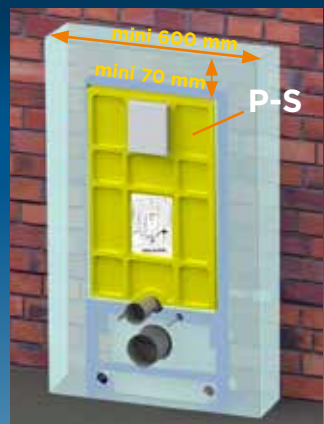
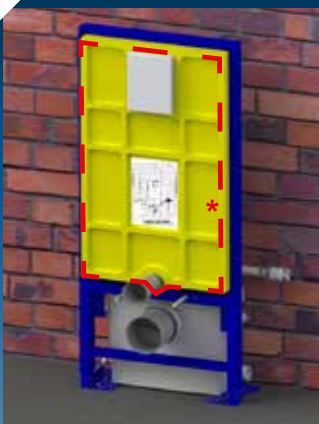


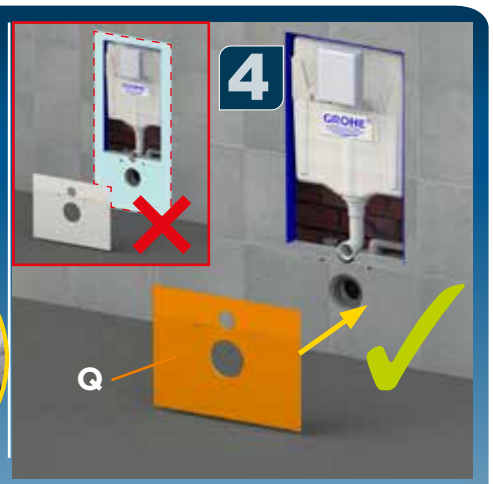
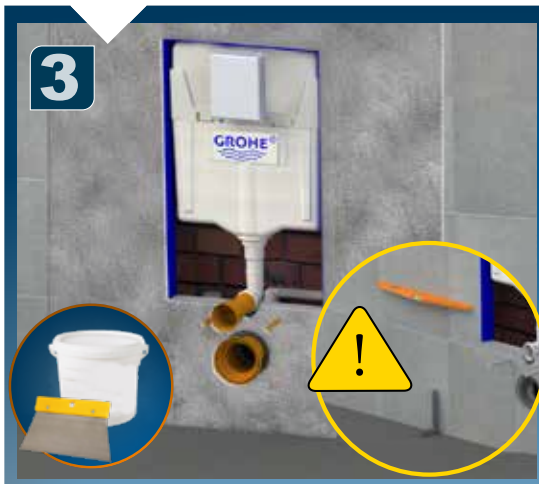
GLASS - STYLE VERSION ❄️ ✨

1



2



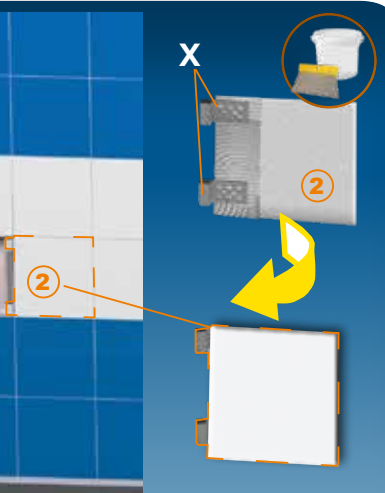
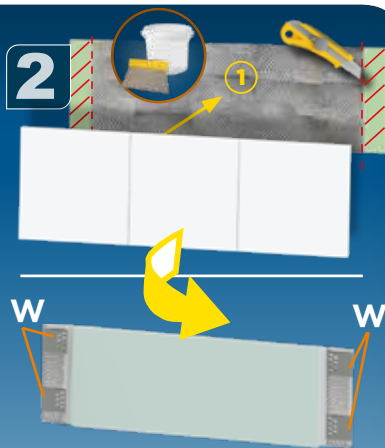


TILE VERSION *

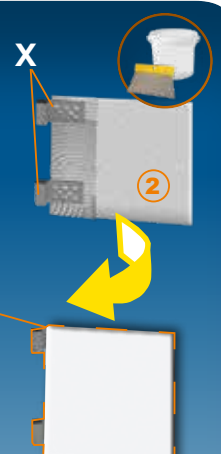
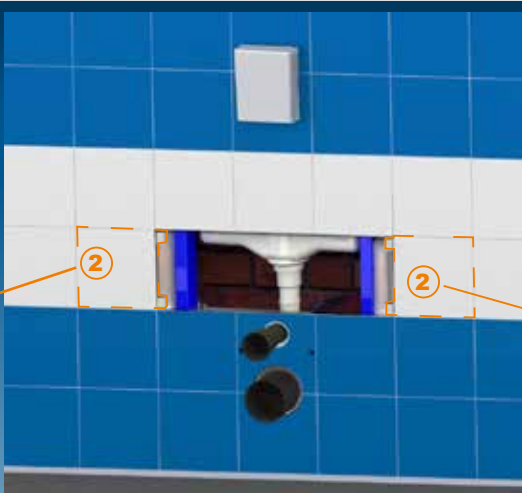
1



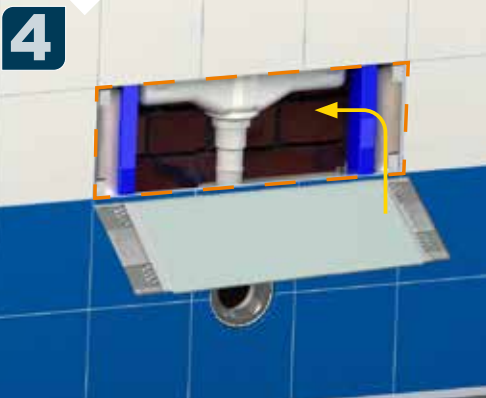
2



3



4



MAINTENANCE

1



2



GLASS - STYLE VERSION * *

3



4



1



2



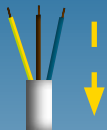
3



TILE VERSION *



Pressure Tube MAINTENANCE



1



2



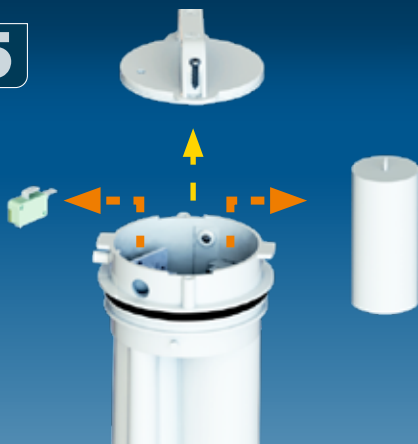
3



4

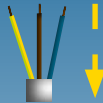


5

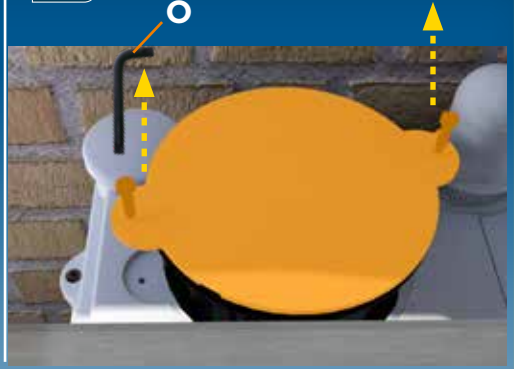




Pump MAINTENANCE



1



2



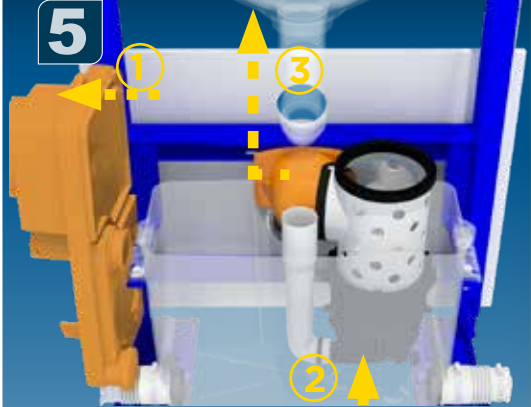
3

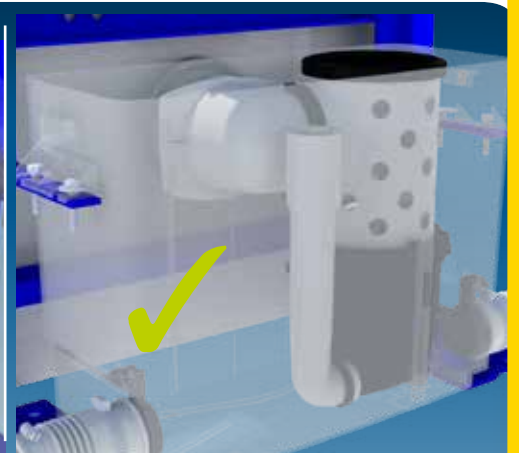
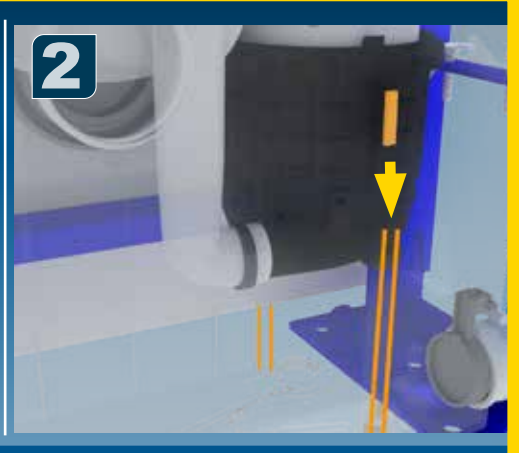


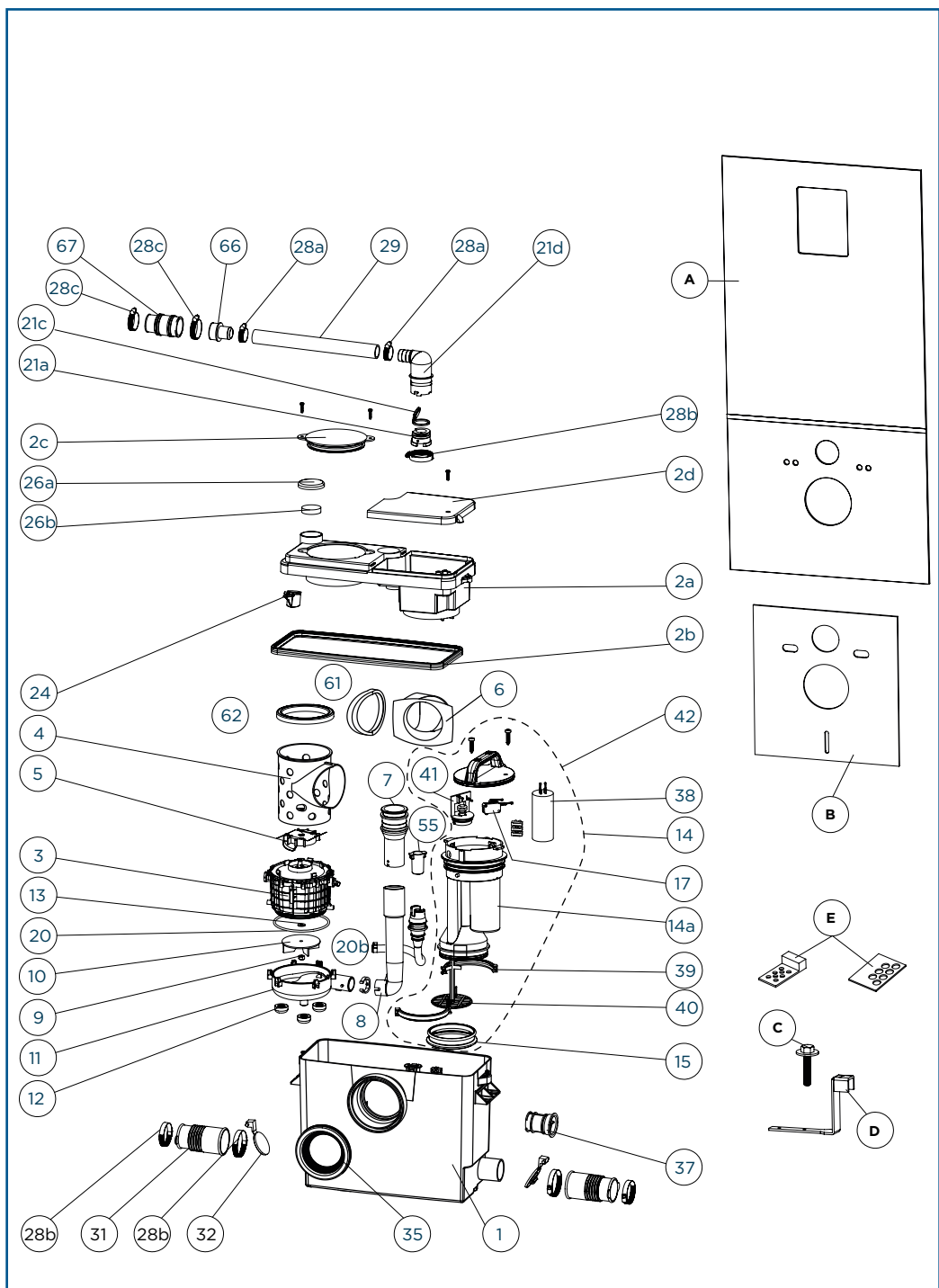
4

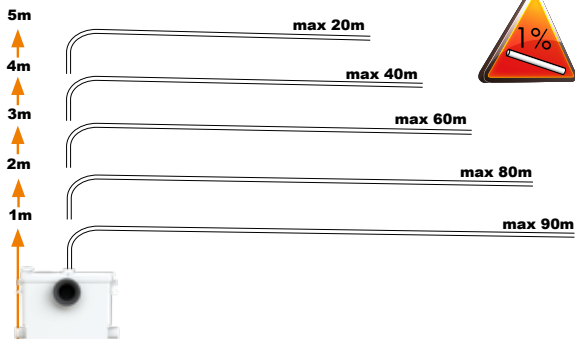
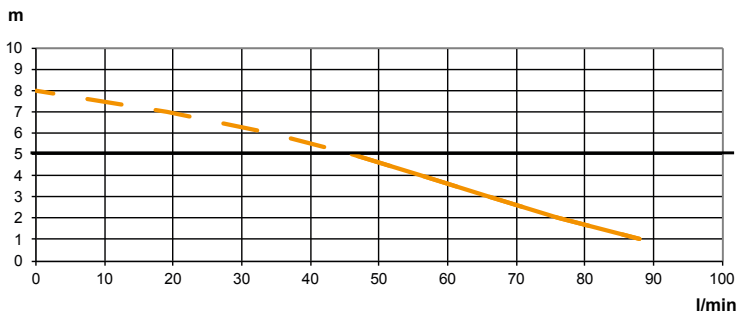


5









SANIWALL PRO UP

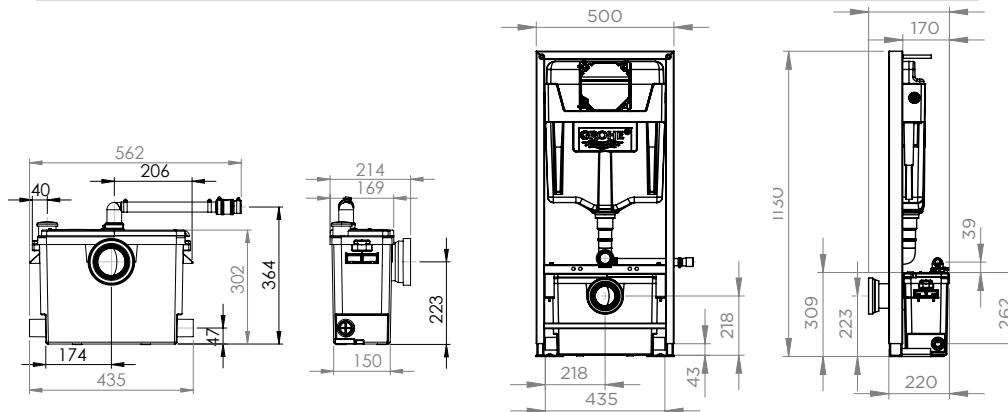
EN12050-3

P30

220-240 V - 50-60 Hz -

1,9 A - 400 W - IP44 -

⊕ (class 1)



SERVICE HELPLINES

France
Tel. 01 44 82 25 55
Fax. 03 44 94 46 19

United Kingdom
Tel. 08457 650011 (Call from a
land line)
Fax. 020 8842 1671

Ireland
Tel. 1850 23 24 25 (LOW CALL)
Fax. + 353 46 97 33 093

Australia
Tel. +1300 554 779
Fax. +61.2.9882.6950

Deutschland
Tel. 0800 82 27 82 0
Fax. (060 74) 30928-90

Italia
Tel. 0382 6181
Fax. +39 0382 618200

España
Tel. +34 93 544 60 76
Fax. +34 93 462 18 96

Portugal
Tel. +351 21 911 27 85
Fax. +35 21 957 70 00

Suisse Schweiz Svizzera
Tel. +41 (0)32 631 04 74
Fax. +41 (0)32 631 04 75

Benelux
Tel. +31 475 487100
Fax. +31 475 486515

Sverige
Tel. +08-404 15 30

Norge
Tel. +08-404 15 30

Polska
Tel. (+4822) 732 00 33
Fax. (+4822) 751 35 16

РОССИЯ
Tel. (495) 258 29 51
Fax. (495) 258 29 51

Česká Republika
Tel. +420 266 712 855
Fax. +420 266 712 856

România
Tel. +40 724 364 543
service@saniflo.ro

Türkiye
Tel. +90 212 275 30 88
Fax. +90 212 275 90 58

Brazil
Tel. (11) 3052-2292

中国
Tel. +86(0)21 6218 8969
Fax. +86(0)21 6218 8970

South Africa
Tel. +27 (0) 21 286 00 28

India
Tel. +91 (0)22 6993 1900
service@sfaumps.in

Vietnam
Tel. +84 (0)977889364

Service information : www.sfa.biz

