

Presence detector, 230 V, master, 2 channels, 24 m, IP54, for surface mounting, white

350-20082

4 year warranty

Master presence detector with increased detection range, 2x external switch input, full and semi-automatic mode, two potential-free switch outputs to switch 2 conventional lighting strips or 1x lighting plus 1x HVAC. The lux level (lux) can be freely chosen for each channel (lighting or HVAC). Range extension with up to 10 secondary detectors.

Range extension with up to 10 secondary detectors.

Finishing colour: white

Compatible secondary detectors: 350-20071, 350-20079, 350-20081

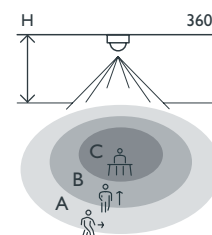
- Simple mounting
- Low power consumption (0.2 W)
- Splashproof (IP54)
- Large detection zone with a diameter of 24 m, from a height of 3 m

For use in offices, school buildings, cafeterias, etc.

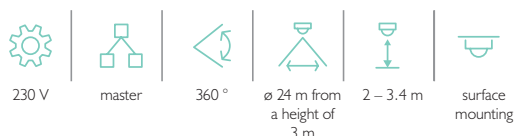
- Depending on the application selected:
 - the lighting must always be turned on manually using a push button and turns off automatically when there is sufficient daylight or there is no longer anyone in the room (absence detector).
 - the lighting turns on automatically when there is motion and if there is not enough daylight. It also turns off automatically when there is sufficient daylight or there is no longer anyone in the room (presence detector).
- When a push button is used, the user can choose not to wait for the end of the switch-off delay and turn off the lighting when they leave the room (eco switch-off). This function can be disabled, for example in (public) premises where the user cannot turn off the lighting as a safety measure.
- The switch-off delay, the lux value from which the lighting must turn on and the sensitivity of the detector can be set by channel.
- The detector can be set manually on the device or using the IR remote control (optional).
- The sensor's lens can be covered with the cover mask provided, so you can divide the detection zone. The cover mask can be adapted according to the desired detection range.



Detection range



H	A Across	B Towards	C Presence
2 m	∅ 16 m	∅ 10 m	∅ 4 m
2.5 m	∅ 20 m	∅ 12 m	∅ 5 m
3 m	∅ 24 m	∅ 14.4 m	∅ 6 m
3.5 m	∅ 28 m	∅ 16 m	∅ 7 m



niko

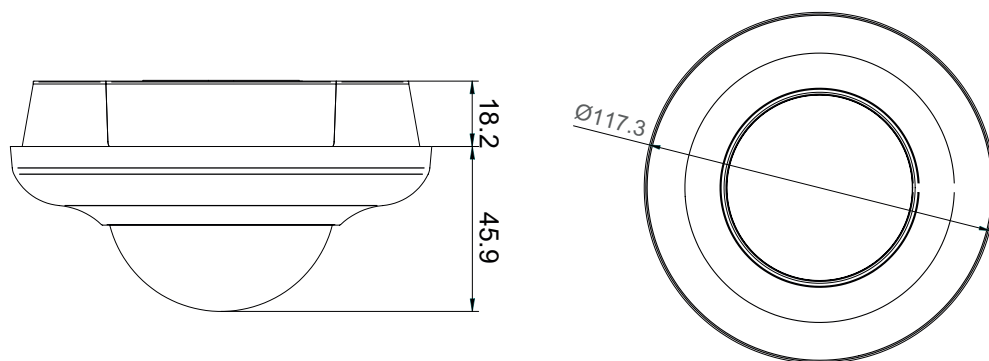
Technical data

Article number	350-20082
Compatible secondary detectors	350-20071, 350-20079, 350-20081
Input voltage	230 Vac \pm 10 %, 50 Hz
Detector output	230 V (ON/OFF)
Maximum MCB rating	10 A (limited by national installation rules)
Relay contact	2 x N.O. (max. 10 A), potential-free
Maximum load incandescent and halogen lamps ($\cos\phi=1$)	2300 W
Maximum load economy lamps (CFLi)	350 W
Maximum load LED lamps 230 V	350 W
Maximum capacitive load	140 μ F
Maximum switching current	165 A/20 ms – 800 A/200 μ s
Light intensity range	20 lux – 1000 lux
Number of channels	2 channels
Switch-off delay	2 min – 1 h, ∞
Detection angle	360 °
Detection range (PIR)	\varnothing 24 m from a height of 3 m
Ambient temperature	-5 – +50 °C
Mounting method	surface mounting
Mounting height	2 – 3.4 m
Dimensions (HxWxD)	117.3 x 117.3 x 64.1 mm
Protection degree	IP54
Marking	CE

Accessories

350-41936	Universal remote control for smartphone
350-20089	IR remote control

Dimensions



Wiring diagram

