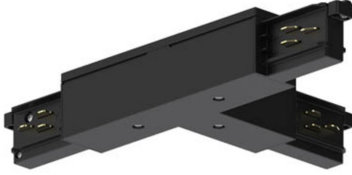


ONETRACK T-FEED CONNECTOR IN-LEFT BLACK 9015/B 9200736



Features

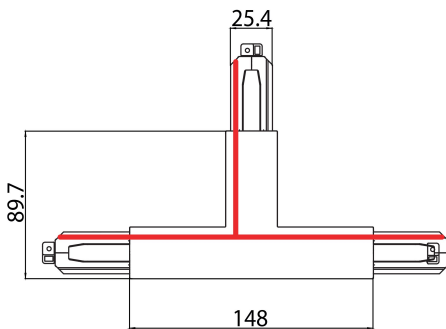
- OneTrack accessory, T-feed connector in-left, polarity ridge is in the inner side. Polycarbonate body, copper alloy contacts. Cover for recessed version supplied separately. Black. Please check the polarity diagram on selling sheet.

Product Overview

Product name	ONETRACK T-FEED CONNECTOR IN-LEFT BLACK 9015/B
Technology	Accessory
General application	Museums & Galleries, Office
ETIM Class	EC000101
Housing colour	Black
Warranty	5 years

ONETRACK T-FEED CONNECTOR IN-LEFT BLACK 9015/B 9200736

Technical drawings



Data table

GENERAL DATA

Product name	ONETRACK T-FEED CONNECTOR IN-LEFT BLACK 9015/B
Technology	Accessory
General application	Museums & Galleries, Office
ETIM Class	EC000101
Warranty	5 years

ELECTRICAL DATA

Control gear required	No
-----------------------	----

ONETRACK T-FEED CONNECTOR IN-LEFT BLACK 9015/B 9200736

PHYSICAL DATA

Housing colour	Black
Nominal Product Length (mm)	148
Nominal Product Width (mm)	25.4
Nominal Product Height (mm)	89.7
Weight (kg)	0.29

PACKAGING

Single packaging type	Plastic
Packaging single length / height (cm)	30.0
Packaging single width (cm)	16.7
Packaging single depth (cm)	0.32
Units per outer package	1
Packaging outer length / height (cm)	30.0
Packaging outer width (cm)	16.7
Packaging outer depth (cm)	0.32

SAFETY DATA

Special purpose lamp	No
Dry applications use only	No
Suitable for household illumination	No