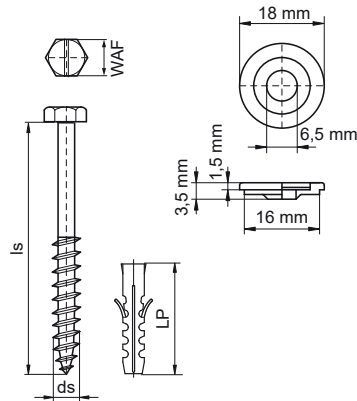


## Walraven Toilet Fixing Kit

(L2505)

fixing of toilet



### Features & benefits

- consists of: 2 Hexagon wood screws DIN 571 with slot, 4 End caps of 2 POM (2 x chrome, 2 x white), 2 Protective washers of PP, 2 Plugs of PA (polyamide)

Product Number	Screw Length	Screw Size	Plug Length	Plug Diameter	Width Across Flats	Material	Surface Protection
Reference Letter	ls	ds	LP		WAF		
Unit description	mm		mm	mm	mm		
0653070	70	6	50	10	10	Steel	Zinc Plated
0653080	80	6	50	10	10	Steel	Zinc Plated
0659070	70	6	50	10	10	Brass	Untreated