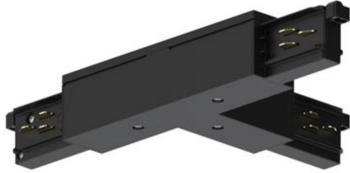


## ONETRACK T-FEED CONNECTOR OUT-LEFT WHITE 9013/W 9200731



### Features

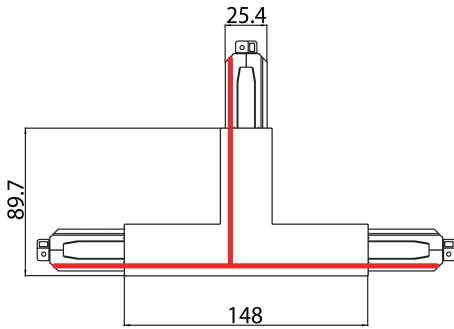
- OneTrack accessory, T-feed connector out-left, polarity ridge is in the outer side. Polycarbonate body, copper alloy contacts. Cover for recessed version supplied separately. White. Please check the polarity diagram on selling sheet.

### Product Overview

<b>Product name</b>	ONETRACK T-FEED CONNECTOR OUT-LEFT WHITE 9013/W
<b>Technology</b>	Accessory
<b>General application</b>	Museums & Galleries, Office
<b>ETIM Class</b>	EC000101
<b>Housing colour</b>	White
<b>Warranty</b>	5 years

## ONETRACK T-FEED CONNECTOR OUT-LEFT WHITE 9013/W 9200731

### Technical drawings



### Data table

#### GENERAL DATA

Product name	ONETRACK T-FEED CONNECTOR OUT-LEFT WHITE 9013/W
Technology	Accessory
General application	Museums & Galleries, Office
ETIM Class	EC000101
Warranty	5 years

#### ELECTRICAL DATA

Control gear required	No
-----------------------	----

## ONETRACK T-FEED CONNECTOR OUT-LEFT WHITE 9013/W 9200731

### PHYSICAL DATA

Housing colour	White
Nominal Product Length (mm)	148
Nominal Product Width (mm)	25.4
Nominal Product Height (mm)	89.7
Weight (kg)	0.29

### PACKAGING

Single packaging type	Plastic
Packaging single length / height (cm)	30.0
Packaging single width (cm)	16.7
Packaging single depth (cm)	0.32
Units per outer package	1
Packaging outer length / height (cm)	30.0
Packaging outer width (cm)	16.7
Packaging outer depth (cm)	0.32

### SAFETY DATA

Special purpose lamp	No
Dry applications use only	No
Suitable for household illumination	No