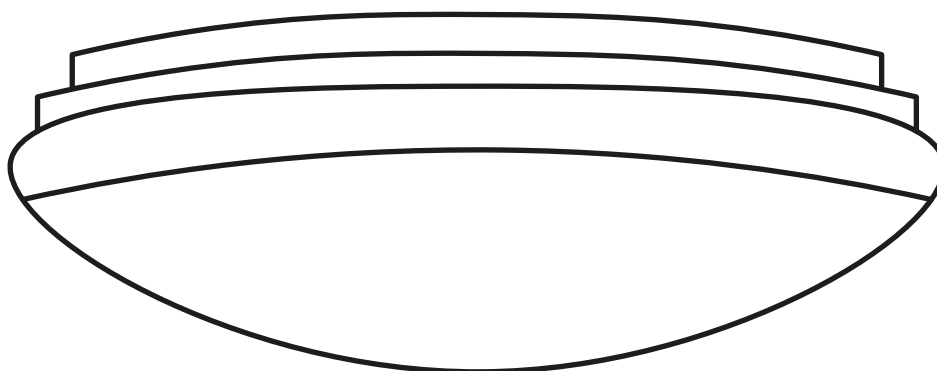




Read these instructions & save for future use

Ceiling Light | Ø180mm | 8 Watt | 3-CCT



Article number **136-006**

Brand **Tronix Lighting**

Type **Ceiling lighting**

Contents of this product **1x 8W ceiling light 3-CCT**

Technical datasheet **Digitally available
on our webshop**



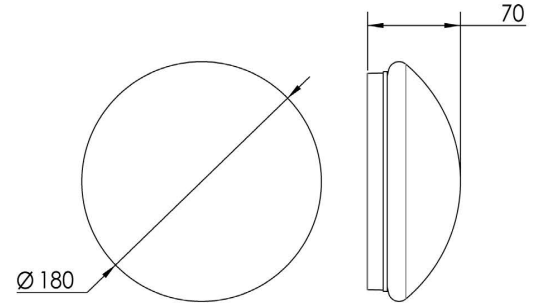
*View instructions and
technical data also on
our website*

TRONIX

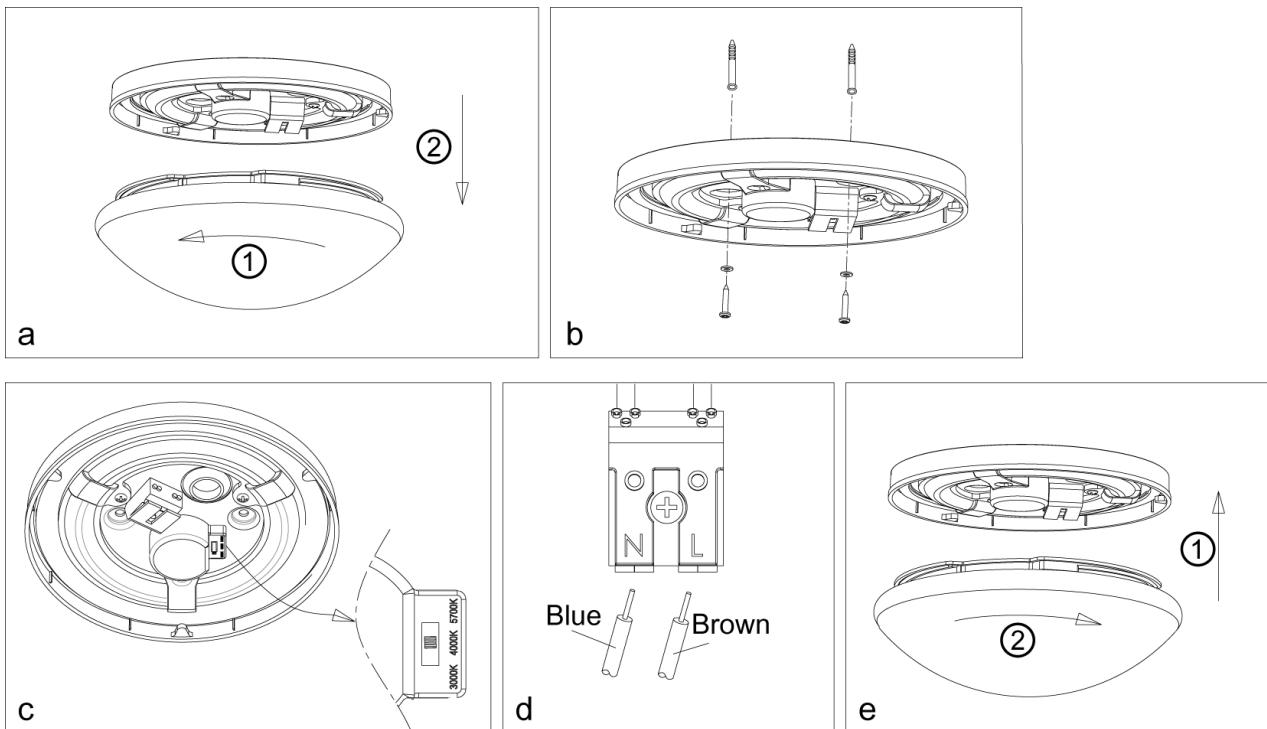


Description

This ceiling light adopts high brightness, high quality LED with a luminous body with a low-voltage constant current driver. This results in low power consumption, long lifespan, solid reliability and safety. The body uses polycarbonate material in one molding, which has been combined with a cover made of polystyrene with a high-light transmittance. A simple yet effective design with optimal light efficiency.



Installation



1. Remove the cover according to picture A;
2. Turn off the power and place the base plate on the ceiling as shown in picture B (Place the expansion screw first while using the rubber gasket. Place the plate afterwards);
3. Use the switch inside the base plate to select the desired color temperature, as shown in picture C;
4. Connect the ceiling light with the power supply inside of the base plate, as shown in picture D;
5. Install the ceiling cover (shown in picture E) and after checking, turn on the power. If done correctly, the ceiling light should be working to it's fullest extend.



Technical Parameters

Input Voltage (VAC)	220-240V AC
Input Current (A)	0.11
Power (W)	8 Watt
Power Factor	>0.5
Color Temperature	3000K (WW) / 4000K (NW) / 5700K (CW)
Luminous Flux (Lm)	750 Lm / 800 Lm / 750 Lm
Beam Angle	120 °
Lifespan (hour)	30.000 Hours
Protection rate	IP44
Working °C	-20 ~ 40
CRI (Ra)	>80

WARNING



- * Power should be cut off before installation, maintenance or inspection.
- * Please install and use the light strictly according to the instruction.
- * Do not disassemble or remold the product at will to avoid accident of electric shock or light falling.
- * For non-user replaceable light sources: "The light source contained in this luminaire shall only be replaced by the manufacturer or his service agent or a similar qualified person."

Terms and symbols (as relevant to product)



The **CE mark** indicates that this product complies with EU regulations on safety, health and environmental protection;



The **WEEE symbol** stands for "Waste Electrical and Electronic Equipment Regulation," a directive on the collection, recycling and recovery of electronic waste;



The **Class II symbol** indicates that this product is double insulated;

- The product has an **IP44 rating**. This means that the product offers protection against objects larger than 1 mm and is splash-proof (10 l/min), regardless of the angle.