

# Product data sheet Spirotech

## Product name

**EMCM Maxi-0.3 max 16bar Twin**

## Article number

**EMCM-M0.3-16.0-twin**

## Product properties

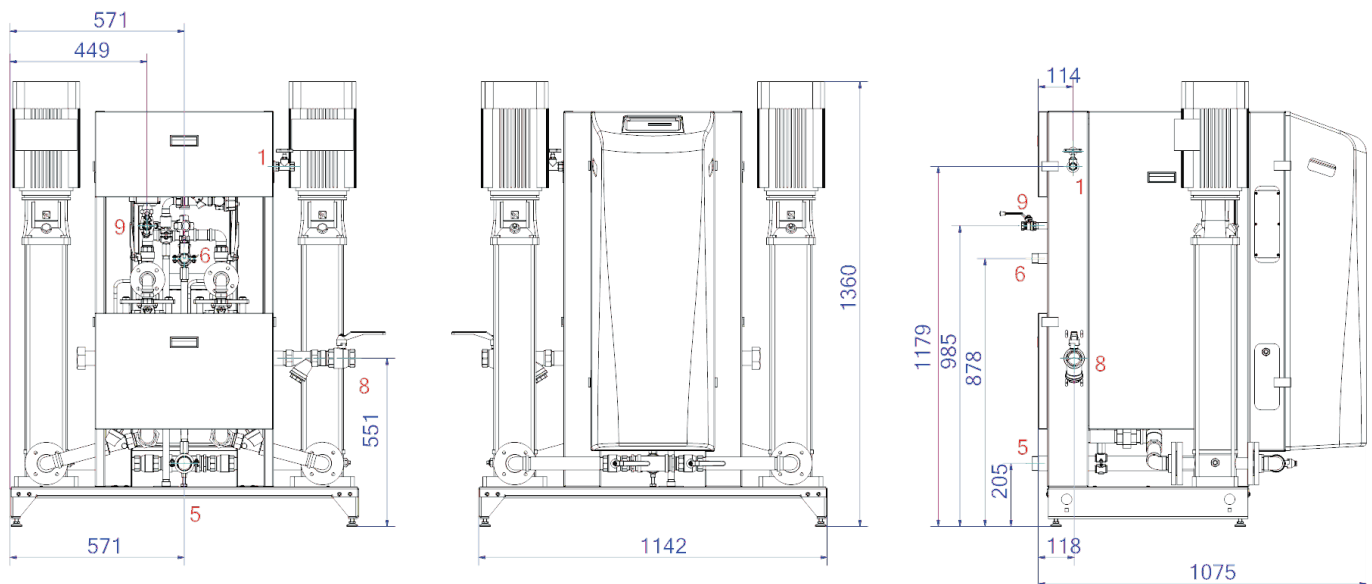
The MultiControl Modular MAXI Twin is an automatic expansion and pressure-maintaining device. The unit contains 2 pumps (2x 100%) and 2 overflow valves. A separate storage tank is required.

- 2 pumps (2x 100%)
- 2 overflow valves (2x 100%)
- At least 1 unpressurized expansion vessel needs to be added
- Operational pressure range up to 4.0 to 16.0 bar
- The maximum temperature at the point of connection: 70°C (over 70°C possible with auxiliary tank)
- Maximum safety temperature in the system: 110°C
- Maximum operating pressure (PN) up to: 25 bar

## Product image



## Product dimensions



<b>1. Refill connection</b>	Rp1/2, Rp3/4	<b>6. Overflow line to the expansion tank</b>	R1
<b>5. Suction line from expansion vessel</b>	R5/4	<b>8. Expansion pressure pipe</b>	R6/4

# Product data sheet Spirotech

## ETIM product data

Height	1370 mm
Max. operating pressure	16 bar
Connection	Other
Power consumption	2.4 kW
Couplable	Yes
Electrical connection	Connection cable with plug
Function master/slave	No
With pressure expansion vessel	No
Digital control unit	Yes

Double pump	Yes
With exchangeable membrane	No
Compressor in base	No
Nominal diameter expansion connection	1 1/2 inch (40)
Max. medium temperature (continuous)	70 °C
For heating systems up to	1 MW
Horizontal positioning	No
Connection voltage	400 V
Article compression class	PN 25

### Disclaimer

This product sheet has been compiled with the greatest possible care. Nevertheless, it may contain errors or omissions. For the most current and correct information we refer you to our website

