

Socket for a double N.O. or N.C. push button, 10 A, plug-in terminals

170-75015



Mechanism for a N.O. or N.C. push button with two buttons, with screw fixing. A finishing set and faceplate in the colour of your choice must be ordered separately.

This article is protected by at least one patent (or patent application). For more info on patents, see www.niko.eu/innovation.

- wire is fixed firmly due to the high-quality plug-in terminal with a long life span, tested according to the norm
- since the conductor release on the mechanisms is located at the front, the wiring cannot push on the release when you place it in the flush-mounting box.

Faster and easier installation:

- all connections terminals are located at the top of the base:

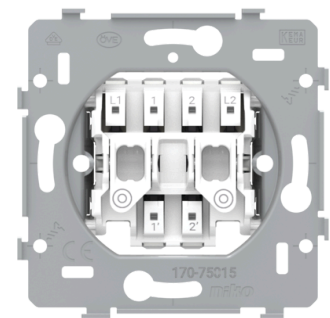
Niko quality:

- long life span since the plug-in terminal stays within the limits of the norm during a temperature and power drop
- metal base is held firmly in place, even on uneven walls, doesn't break and is not subject to stress cracking (small ruptures)

Technical data

Socket for a double N.O. or N.C. push button, 10 A, plug-in terminals.

- Function:
 - push button
 - block-shaped silver contacts (cadmium-free) in the form of a cross
- Type of control: push button
- Number of buttons: 2
- Number of leds: 0
- Maximum MCB rating: 16 A (limited by national installation rules)
- Protection degree: IP41 for the combination of a mechanism, central plate and faceplate
- Impact resistance: the combination of a mechanism, a central plate and a faceplate has an impact-resistance of IK06
- Material base insert:



- ureumformaldehyde (UF) with high heat resistance
- white RAL9010 (approximately)
- Flush-mounting frame type:
 - 1 mm-thick metal
 - galvanized on all sides after cutting, even on the cut edges
 - with 4 grooves with screw hole of 7 mm
 - with 4 screw holes (indicated by a screw symbol) with a diameter of 3 mm for mounting on panels
- Minimum flush-mounting depth: 18 mm
- Type of fastening:
 - with screws for simple fixing in a flush-mounting box with grip surfaces
- Centre-to-centre distance:
 - horizontal coupling and vertical coupling with centre-to-centre distance 71 mm
 - horizontal connection of several bases is quick and perfect thanks to the folded-up dovetails on the left and right side
 - extra robustness due to the folded-up edges on the outside of the base and the continuation to the inside of the base
- Base end border: 4 rectangular openings (7 x 2.5 mm) which, if the flush-mounting box protrudes from the plasterwork, can compensate for a margin of between 1 and 1.2 mm, so that the faceplate can still butt up perfectly against the wall
- Terminal wire connection: plug-in terminals
- Terminals location: top of the base
- Terminals wire capacity: 2 x 2.5 mm²
- Suitable type of wire: rigid (solid or stranded)
- Markings on the flush-mounting frame:
 - indelibly indicated at the rear side: stripping length and wiring diagram
 - indelibly indicated at the front side: terminals and switch symbol
- Wire stripping length: 8 mm
- Recess for indication led:
 - the base is provided with 2 rectangular recesses for optional lighting units
 - left and right recess: optional lighting units with wires can be clicked in
- Minimum ambient temperature: 5 °C
- Maximum ambient temperature: 40 °C
- Dimensions (HxWxD): 73 mm x 73 mm
- Certification marks: CEBEC, DEMKO, NF, KEMA, SEMKO, ÖVE, VDE
- Marking: CE

Wiring diagram

