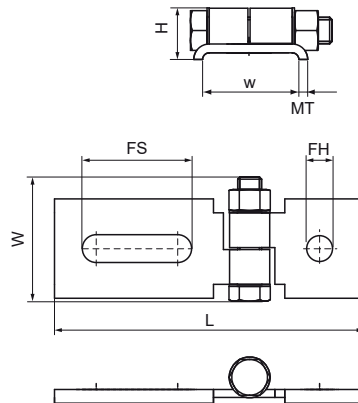


Walraven RapidStrut® Connector, Hinged (BUP1000)

(H2840)

for flexible angle connections



Features & benefits

- to make fabrication with Walraven RapidStrut® Rail
- fully adjustable
- material: steel 1.0332
- product is part of the Walraven UltraProtect® 1000 system
- suitable for in- and outdoor applications
- stands min. 1,000 hours salt spray test (max. 5% red rust) according to ISO 9227

Product Number	For Rail Type	Total Height	Total Width	Total Length	Material Thickness	Width	Fixing Hole	Fixing Slot	Maximum Allowed Load Faz
Reference Letter		H	W	L	MT	w	FH	FS	F _{a,z}
Unit description		mm	mm	mm	mm	mm	mm	mm	N
66581821	41x21, 41x41, 41x51, 41x62, 41x82	24.1	62.5	115.4	4.00	42	13		1,000
66581822	41x21, 41x41, 41x51, 41x62, 41x82	24.1	62.5	155.9	4.00	42	13	45x14	1,000
66581823	41x21, 41x41, 41x51, 41x62, 41x82	24.1	62.5	196.4	4.00	42		45x14	1,000