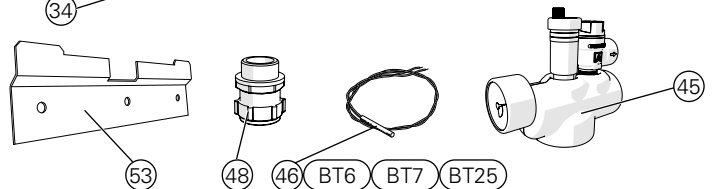
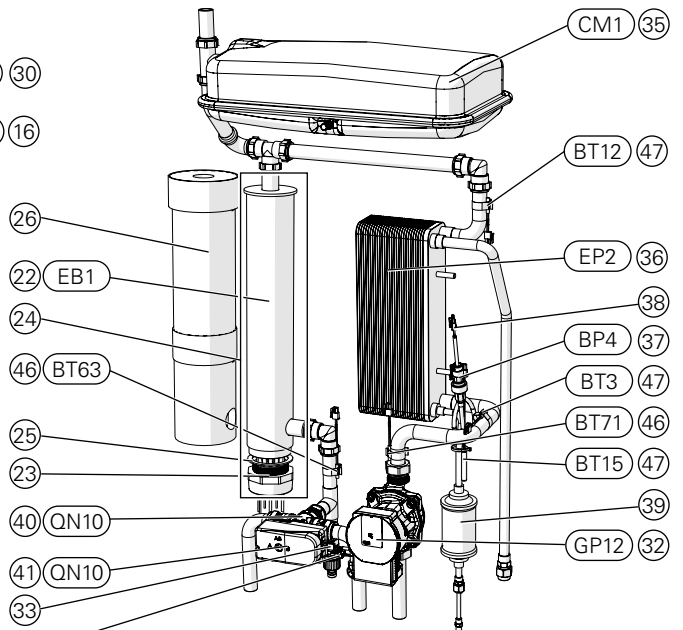
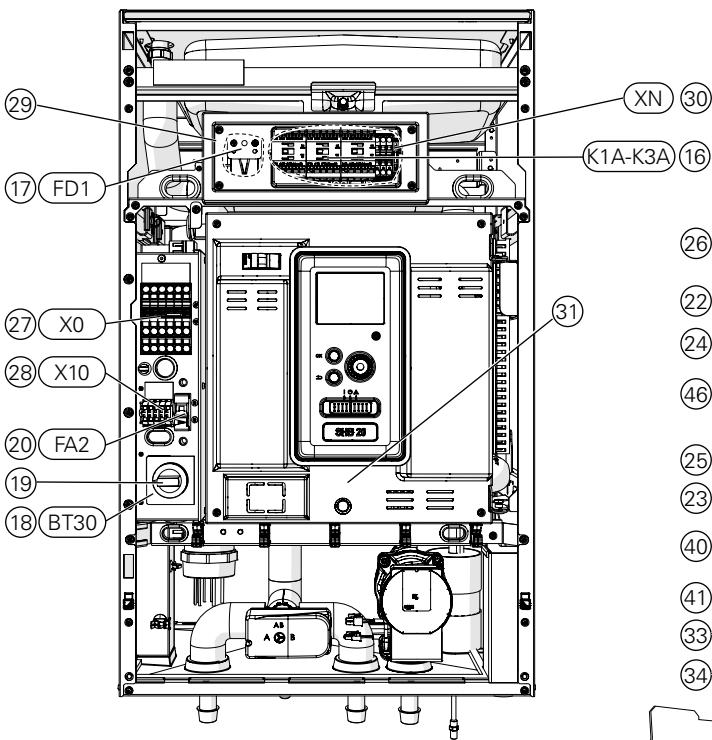
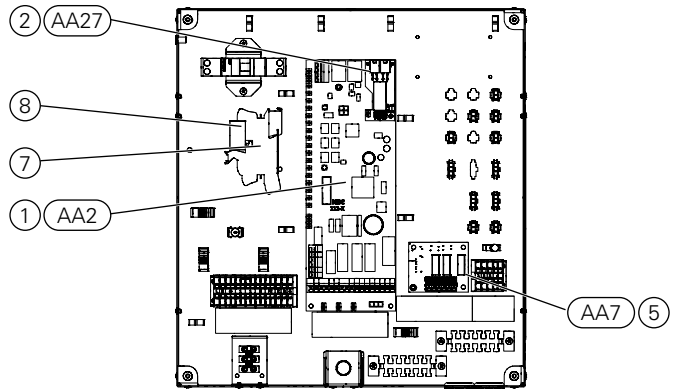
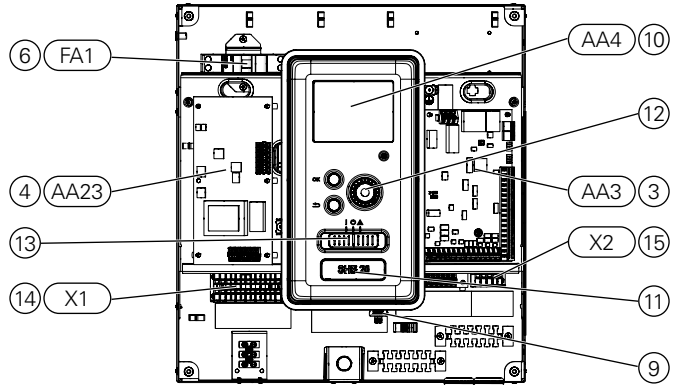
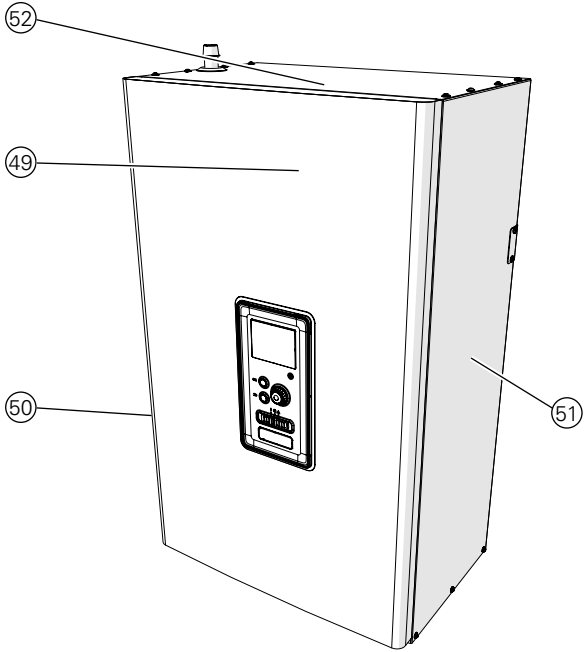


METRO SHB 20



Pos.	Index	Description	METRO SHB 10-6	METRO SHB 10-12	Valid from	Valid until
CONTROL PANEL						
1	718543	BASE CARD (AA2)	+	+		
2	818168	RELAY CARD (AA27)	+	+		
3	518058	INPUT CARD (AA3)	+	+		
4	218552	COMMUNICATION CARD (AA23)	+	+		
5	518314	EXPANSION CARD (AA7)	+	+		
6	618966	CIRCUIT BREAKER C10 (FA1)	+	+		
7	718152	RELAY SLOT 250V/8A/50HZ	+	+		
8	718136	RELAY 12VDC 8A	+	+		
9	409038	SMO DISPLAY CABLE	+	+		
10	027303	DISPLAY SMO OEM (AA4)	+	+		
11	036389	USB-COVER SMO OEM	+	+		
12	036393	KNOB SMO OEM	+	+		
13	036395	SLIDER SMO OEM	+	+		
14	218441	TERMINAL BLOCK SMO X1	+	+		
15	218444	TERMINAL BLOCK SMO X2	+	+		
31	060272	PANEL COVER SMO R32	+	+		
ELECTRIC PANEL / HEATER						
16	418710	CONTACTOR DILEM 10-C (K1A-K3A)	+	+		
	229203	CONTACTOR 3RT2016-2AP01 SIEMENS (K1A-K3A)	+	+		
17	060273	TEMPERATURE LIMITER STB 92-6°C (FD1)	+	+		
18	029850	TEMPERATURE CONTROLLER 5-65°C (BT30)	+	+		
19	060274	KNOB REGULATOR Ø43	+	+		
20	029976	CIRCUIT BREAKER B20 (FA2) 1-P	+	+		
22	029918	HEATER VESSEL Ø22 (EB1)	+	+		
23	060270	IMMERSION HEATER G2" 9KW SHB20	+	+		
24	060268	COMPLETE AUXILIARY HEATER OF SHB20				
25	033132	GASKET 2"	+	+		
26	029921	HEATER TANK INSULATION	+	+		
27	818850	SUPPLY TERMINAL BLOCK 230V (X0)	+	+		
28	818852	SPLIT TERMINAL BLOCK (X10)	+	+		
29	060263	R32 CONTACTOR PANEL COVER	+	+		
30	060279	CONTACTOR TERMINAL BLOCK (XN)	+	+		

* the set consists of positions 22, 23, 25 & 26.

Pos.	Index	Description	METRO SHB 10-6	METRO SHB 10-12	Valid from	Valid until
HYDRAULICS / EQUIPMENT / MEASUREMENT						
32	229791	WILO PARA G15 PUMP (GP12)	+	+		
33	060278	SIGNAL CABLE WILO PARA	+	+		
34	060280	POWER SUPPLY CABLE WILO PARA	+	+		
35	001201	EXPANSION VESSEL 12L (CM1)	+	+		
36	029936	HEAT EXCHANGER 6 kW SET (EP2)	+	+		
	029937	HEAT EXCHANGER 9 kW SET (EP2)	+	+		
37	618999	PRESSURE SENSOR (BP4)	+	+		
38	060281	PRESSURE SENSOR CABLE	+	+		
39	424892	DRYING FILTER	+	+		
40	224339	3-WAY VALVE Ø22 (QN10)	+	+		
41	060262	THE ACTUATOR 3-WAY VALVE (QN10)	+	+		
45	730084	SAFETY GROUP 3BAR TECHNOLIMMER	+	+		
46	228997	TEMPERATURE SENSOR BT (BT6, BT7, BT25, BT63, BT71)	+	+		
47	229022	TEMPERATURE SENSOR BTWITH PLUG (BT3, BT15, BT12)	+	+		
HYDRAULICS - BRASS FITTINGS - PUMP CONNECTION						
48	229801	STRAIGHT CONNECTOR 22X1"	+	+		
PRODUCT CONSTRUCTION						
49	31689	FRONT CASE SET OEM	+	+		
50	060265	LEFT SIDE CASE SET SHB20	+	+		
51	060266	RIGHT SIDE CASE SET SHB20	+	+		
52	730008	TOP CASE SET	+	+		
53	020585	HANGER	+	+		