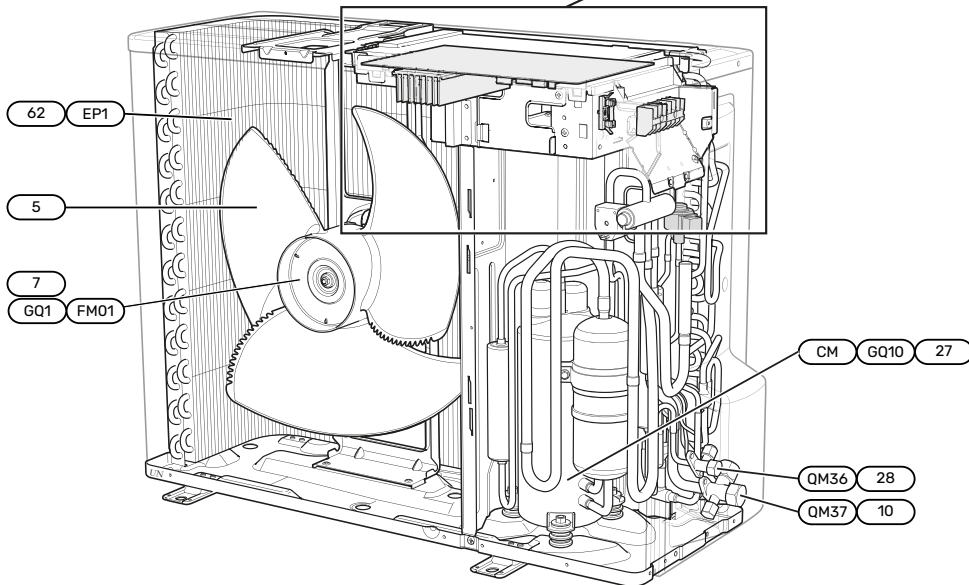
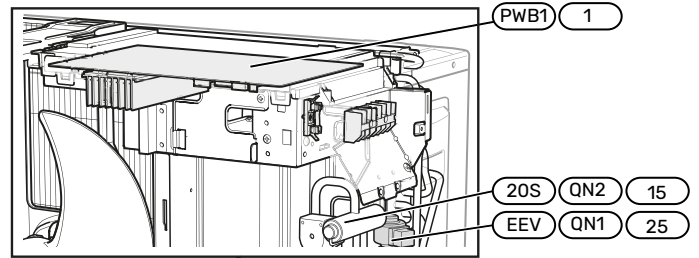
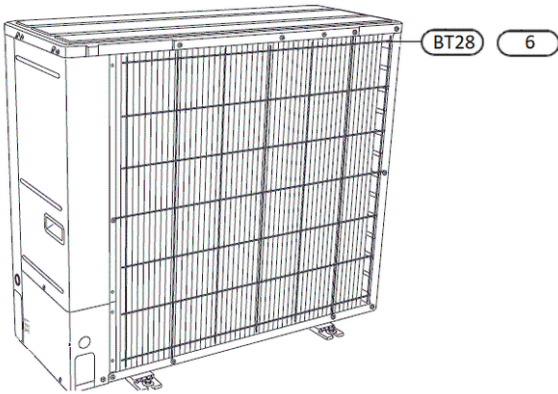
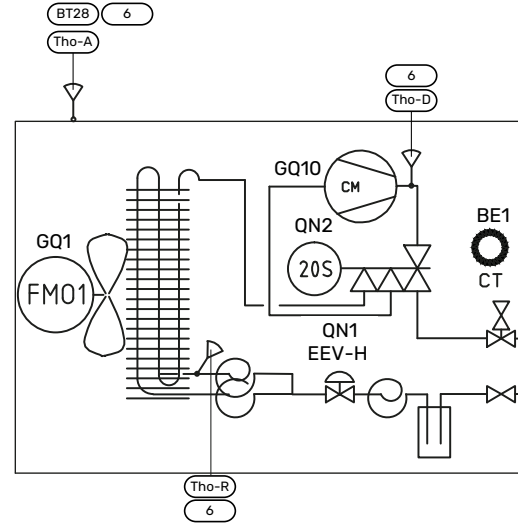
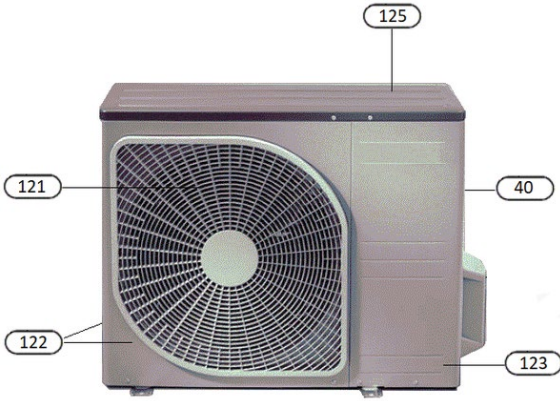


L6.1 SPLIT



Pos.	Index	Description	L6.1 SPLIT	Valid from	Valid until
1	505100	PWB1 CONTROL	+		
5	718812	FAN PROPELLER	+		
6	718821	TEMP.SENSOR KIT TH2,3,4	+		
7	718811	FAN MOTOR	+		
10	718815	VALVE SERVICE	+		
15	718819	VALVE(4-WAYS)	+		
25	718822	EXPVALVE ASSY	+		
26	718823	COIL(4-WAY)	+		
27	201134	COMPRESOR AHT201C134WL	+		
28	718814	VALVE LIQUID	+		
40	060193	PANEL ASSY REAR MHI RCT125A002	+		
62	324172	EVAPORATER AMS/F2040 10-6	+		
121	033815	GUARD FRONT	+		
122	033814	FRONT LEFT	+		
123	060194	PANEL SERVICE RCT122A006B	+		
125	718826	TOPP LOCK	+		