

Data Sheet | Item Number: 272-133/220-000

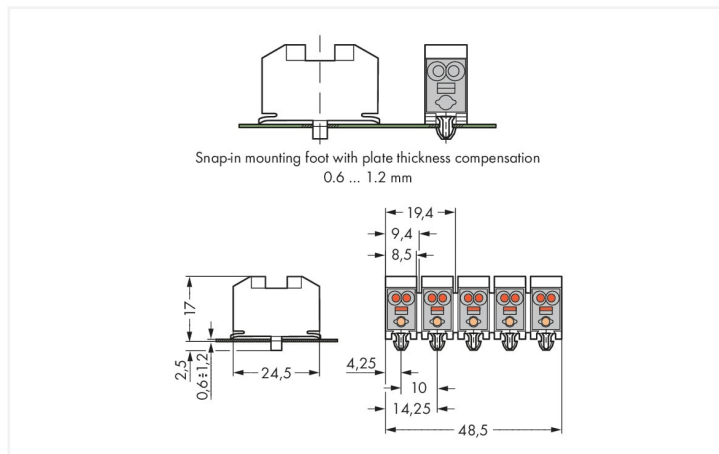
Power supply connector; without push-buttons; with snap-in mounting feet; without ground contact; 3-pole; 2,50 mm²; white

<https://www.wago.com/272-133/220-000>



Color: ■ white

Similar to illustration



Dimensions in mm

Electrical data

Ratings per	IEC/EN 60664-1		
Overvoltage category	III	III	II
Pollution degree	3	2	2
Nominal voltage	-	400 V	-
Rated surge voltage	-	4 kV	-
Rated current	-	18 A	-

Connection data

Connection points	12
Total number of potentials	3
Number of connection types	1

Connection 1

Connection technology	PUSH WIRE®
Strip length	8 ... 9 mm / 0.31 ... 0.35 inches
Pole number	3

Physical data

Width	28.5 mm / 1.122 inches
Height	19.5 mm / 0.767 inches
Depth	24.5 mm / 0.965 inches

Material data

Note (material data)	Information on material specifications can be found here
Color	white
Material group	I
Insulation material	Polyamide (PA66)
Flammability class per UL94	V0
Fire load	0.177 MJ
Weight	10.3 g

Commercial data

Product Group	8 (Misc. Chassis Mount Blocks)
eCl@ss 10.0	27-14-11-04
eCl@ss 9.0	27-14-11-04
ETIM 8.0	EC000446
ETIM 7.0	EC000446
PU (SPU)	500 pcs
Packaging type	Bag
Country of origin	DE
GTIN	4066966373783
Customs tariff number	85369010000

Environmental Product Compliance

RoHS Compliance Status	Compliant, No Exemption
------------------------	-------------------------

Approvals / Certificates

General approvals



Approval	Standard	Certificate Name
CSA DEKRA Certification B.V.	C22.2 No. 158	70048844

Downloads

Environmental Product Compliance


Compliance Search

Environmental Product
Compliance
272-133/220-000



Documentation

Additional Information

Technical Section	03.04.2019	pdf 2010.85 KB	
-------------------	------------	-------------------	---

1 Compatible Products

1.1 Optional Accessories

1.1.1 Tool

1.1.1.1 Assembly tool



Item No.: 249-100

Operating tool; for terminal blocks with snap-in ground contact

1.1.1.2 Operating tool



Item No.: 271-120

Push-button; white