

# Product data sheet Spirotech

## Product name

**SpiroVent Solar -1¼" -Uni -AutoClose -HighT**

## Product properties

A brass (microbubble) deaerator - Autoclose for Solar & high-temperature systems (max. 180 °C) with a 22 mm - 1½" universal connection

- Specially developed for Solar (high temperature) installations
- Applicable with max. 20% - 50% Ethylene Glycol and water (Volume)
- Removes microbubbles, circulating and trapped air
- Greatly reduces commissioning times
- Minimal constant pressure drop
- No unnecessary shutdown
- Long lasting valve seat
- Universal connection
- Connection diameters from 22 mm to 1½" (G1½)
- Prevents stagnation
- Solar fluid will not prematurely degenerate
- System will not boil dry via the deaerator
- No more climbing the roof to deaerate
- Permanent air-free, efficient installation
- Suitable for new and existing installations

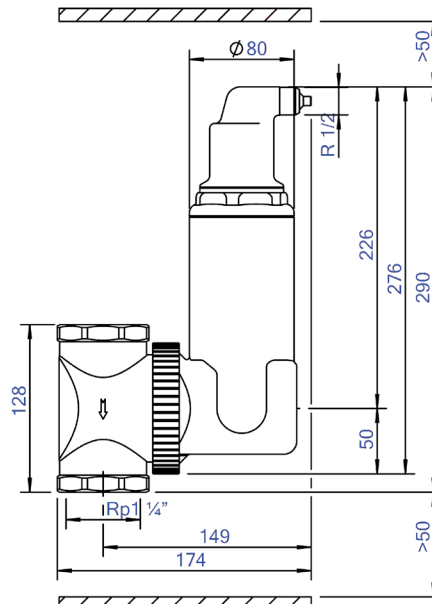
## Article number

**UA125WFBA08**

## Product image



## Product dimensions



# Product data sheet Spirotech

## ETIM product data

Housing material	Brass
With drain valve	No
Housing material quality	Other
Medium temperature (continuous)	0 - 180 °C
Max. operating pressure	10 bar
KVS value [m <sup>3</sup> /h] at ΔP 1 bar	22.6
Separator type	Air
Connection	Internal thread cylindrical BSPT-Rp (ISO 7-1 / EN 10226-1)
Model	Horizontal/vertical
Nominal diameter	1 1/4 inch (32)
Max. glycol mixture	50 %
Suitable for heating	Yes
Suitable for cooling	No

Construction length	128 mm
Article compression class	PN 10
Surface protection	Other
Suitable for open system	No
Suitable for closed system	Yes
Suitable for solar	Yes
Filter volume	1.12 l
Magnet operating principle	No
With automatic de-aerator	Yes
With couplers	No
Material of connection	Brass
Material quality connection	Other
Magnet location	None

### Disclaimer

This product sheet has been compiled with the greatest possible care. Nevertheless, it may contain errors or omissions. For the most current and correct information we refer you to our website

