

Product data sheet Spirotech

Product name

SpiroVent Solar -1½” -Uni -AutoClose -HighT

Product properties

A brass (microbubble) deaerator - Autoclose for Solar & high-temperature systems (max. 180 °C) with a 22 mm - 1½” universal connection

- Specially developed for Solar (high temperature) installations
- Applicable with max. 20% - 50% Ethylene Glycol and water (Volume)
- Removes microbubbles, circulating and trapped air
- Greatly reduces commissioning times
- Minimal constant pressure drop
- No unnecessary shutdown
- Long lasting valve seat
- Universal connection
- Connection diameters from 22 mm to 1½” (G1½)
- Prevents stagnation
- Solar fluid will not prematurely degenerate
- System will not boil dry via the deaerator
- No more climbing the roof to deaerate
- Permanent air-free, efficient installation
- Suitable for new and existing installations

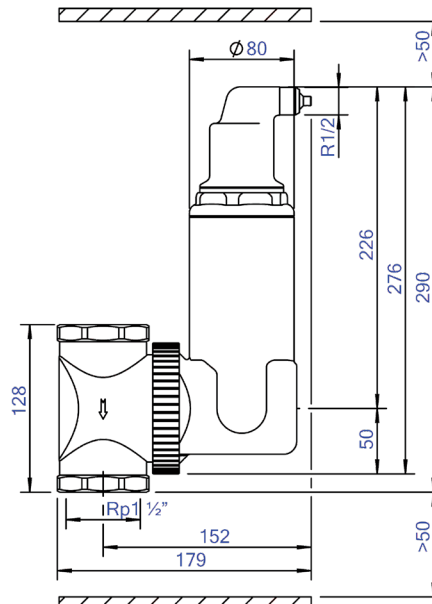
Article number

UA150WFBA08

Product image



Product dimensions



Product data sheet Spirotech

ETIM product data

| | |
|---------------------------------|--|
| Housing material | Brass |
| With drain tap | No |
| Housing material quality | Other |
| Backwash filter | No |
| Medium temperature (continuous) | 0 - 180 °C |
| Max. operating pressure | 10 bar |
| Kvs value | 24.9 |
| With insulation | No |
| Separator type | Air |
| Connection | Internal thread cylindrical BSPT-Rp (ISO 7-1 / EN 10226-1) |
| Model | Horizontal/vertical |
| Nominal diameter | 1 1/2 inch (40) |
| Max. glycol mixture | 50 % |
| Suitable for heating | Yes |
| Suitable for cooling | No |

| | |
|-----------------------------|--------|
| Construction length | 128 mm |
| Article compression class | PN 10 |
| Surface protection | Other |
| Suitable for open system | No |
| Suitable for closed system | Yes |
| Suitable for solar | Yes |
| With dismountable filter | No |
| Filter volume | 1.16 l |
| Magnet operating principle | No |
| With automatic de-aerator | Yes |
| With couplers | No |
| Material of connection | Brass |
| Material quality connection | Other |
| Magnet location | None |

Disclaimer

This product sheet has been compiled with the greatest possible care. Nevertheless, it may contain errors or omissions. For the most current and correct information we refer you to our website.

