

Product data sheet Spirotech

Product name

SpiroTrap MBC -28mm -Magnet -Uni

Product properties

A small brass dirt separator with magnet and a 22 mm - 1" universal connection

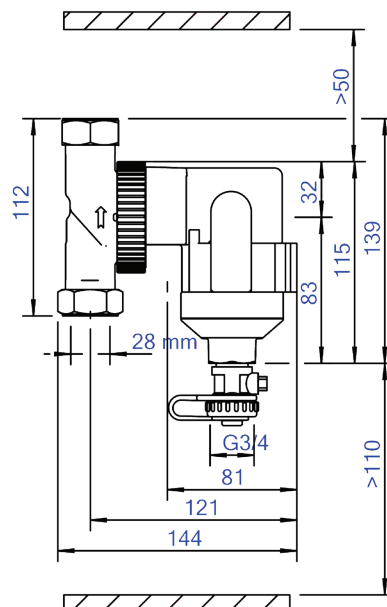
Article number

UE028WH

Product image



Product dimensions



Product data sheet Spirotech

ETIM product data

Housing material	Brass
With drain valve	Yes
Housing material quality	Other
Backwash filter	No
Medium temperature (continuous)	0 - 110 °C
Max. operating pressure	10 bar
KVS value [m ³ /h] at ΔP 1 bar	12.17
Variable flow direction	Yes
With insulation	No
Separator type	Dirt
Connection	Compression ring
Model	Horizontal/vertical
Nominal diameter	Other
Max. glycol mixture	50 %
Suitable for heating	Yes
Suitable for cooling	Yes
Outer pipe diameter	28 mm
Construction length	120 mm
Article compression class	PN 10
Surface protection	Untreated
Suitable for open system	No

Suitable for closed system	Yes
Suitable for solar	No
Whirl operating principle	No
Negative pressure operating principle	No
With dismountable filter	No
Filter volume	0.39 l
Magnet operating principle	Yes
Thrust operating principle	No
With automatic de-aerator	No
Partial flow principle	No
Principle full flow with settling	Yes
With integrated replenishment automat	No
With couplers	Yes
Cleaning possible during operation	Yes
Material of connection	Brass
Inlet/outlet offset distance	0 mm
Material quality connection	Other
Flow-through capacity	0 - 1.3 m ³ /h
Operating principle	Magnet
Magnet location	External

Disclaimer

This product sheet has been compiled with the greatest possible care. Nevertheless, it may contain errors or omissions. For the most current and correct information we refer you to our website

