

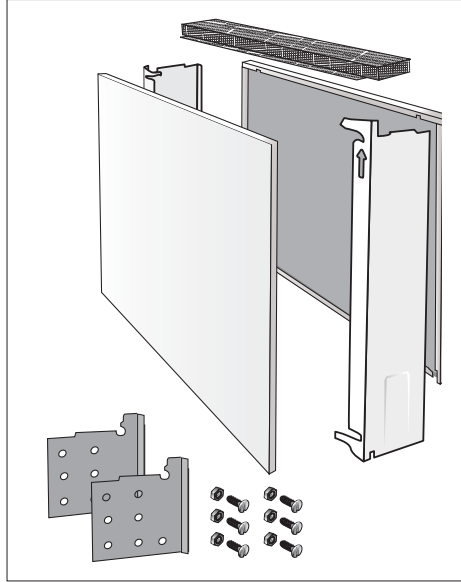
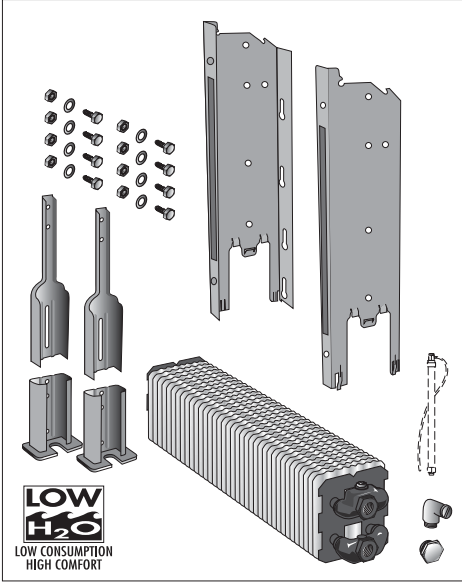


LINEA PLUS

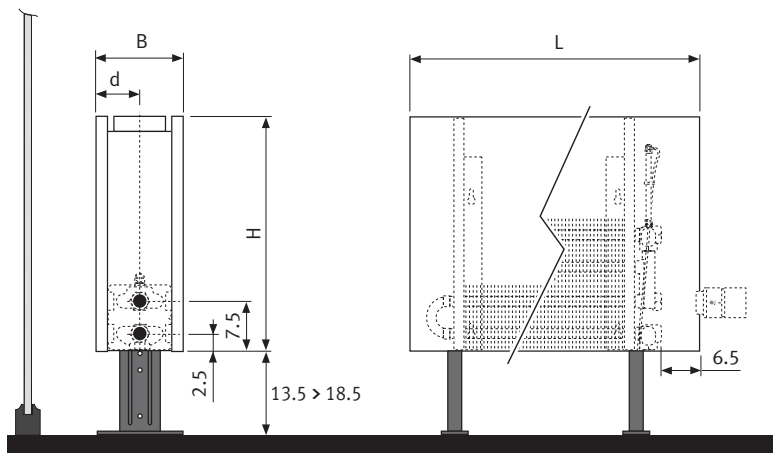
jaga

Energy
SAVERS
LOW-H2O

Montagehandleiding vrijstaand model / Instructions de montage modèle sur pieds
Montagehinweis Standmodell / Mounting instructions freestanding model



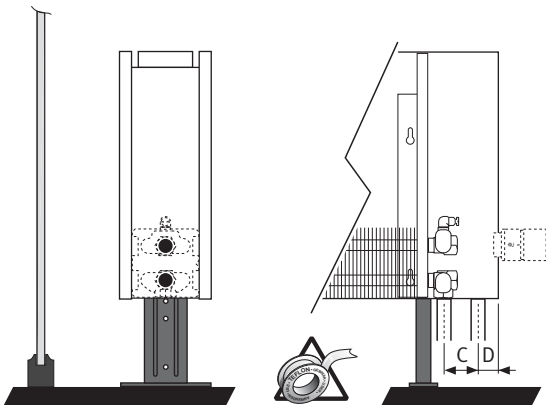
AFMETINGEN_DIMENSIONS_ABMESSUNGEN_DIMENSIONS



| L | H |
|-----|-----|
| 050 | 020 |
| 060 | 035 |
| 070 | |
| 080 | |
| 090 | |
| 100 | |
| 110 | |
| 120 | |
| 140 | |
| 160 | |
| 180 | |
| 200 | |
| 220 | |
| 240 | |
| 260 | |
| 280 | |

| DIMENSIONS in cm | | |
|------------------|----|-----|
| Type | B | d |
| 10-11 | 13 | 6.5 |
| 15-16 | 18 | 9.0 |

OPTIE_OPTION VENTIELEN_VANNES_VENTILE_VALVES



| | C | D |
|---------|-----|-----|
| EC 3/4" | 5.0 | 3.5 |
| M 24 | 3.8 | 2.5 |
| G 1/2" | 5.0 | 3.5 |

