

Concord

EXPOSPOT 90 MONO HO RA90 3000K VNB WHITE 2070087



Features

- Integrated LED gimbal accent downlight, single head, ideal for retail and display applications, die-cast aluminium body, white colour housing, passive cooling, beam angle: 13°, optics: aluminium reflector and lens combination, colour temperature: 3000K, total system power: 35W, total fixture output: 3601lm, 103lm/W, LOR: 100%, colour rendering: Ra 90 typical, LED Chromacity: 3 step MacAdam ellipse, IR/UV free light source without heat radiation, operating voltage: 220-240V / 50-60Hz, electronic driver, non-dimmable, electrical protection: CLASS II, ingress protection rating: IP20, suitable for internal environment only, ceiling cut-out: 148x148mm, outer dimensions: 163x104mm, weight: 0.77kg.

Product Overview

Product name	EXPOSPOT 90 MONO HO RA90 3000K VNB WHITE
Technology	LED
Cap/Base	N/A
Housing	Aluminium
Mount	Ceiling recessed mounting
Fixture rating	Enclosed
Fixture luminous flux (lm)	3601
Luminaire efficacy (lm/W)	103
LOR (%)	100
Colour temperature (K)	3000
Light colour	Warm White
CRI (Ra)	90
Colour Variation Initial (SDCM)	3
Photobiological Risk Group	RG1
Total power consumption (W)	35
Electrical protection	Class II
Control gear type	Electronic ballast

Concord

EXOSPOT 90 MONO HO RA90 3000K VNB WHITE 2070087

Control gear mounting

Remote

Housing colour

White

IP rating

IP20

IK rating

IK02

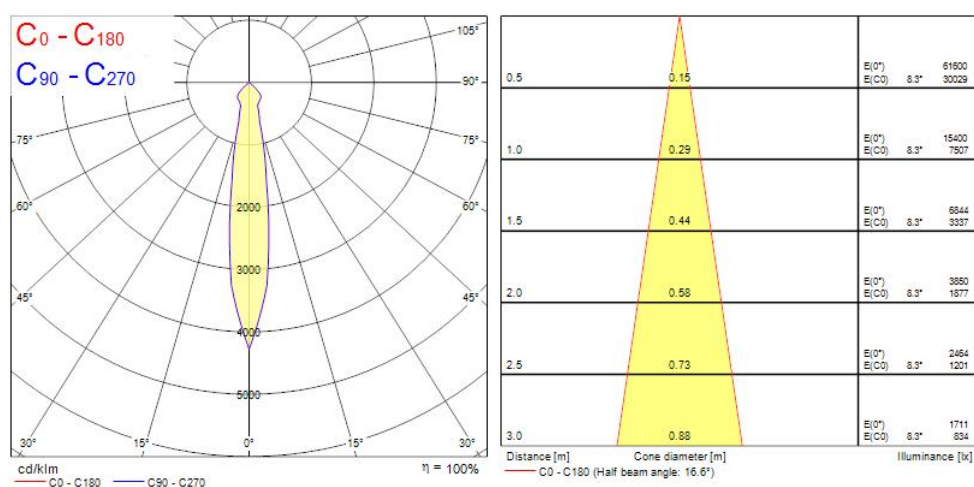
Product EAN number

5025768700875

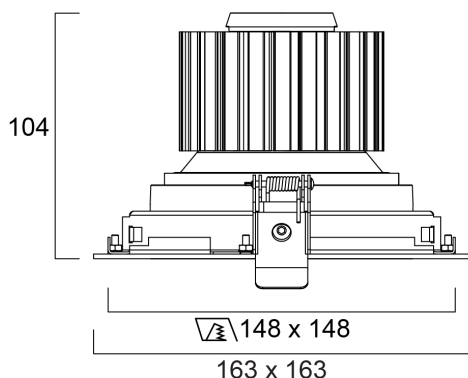
Warranty

5 years

Photometry



Technical drawings



Concord

EXPOSPOT 90 MONO HO RA90 3000K VNB WHITE 2070087

Data table

GENERAL DATA

Product name	EXPOSPOT 90 MONO HO RA90 3000K VNB WHITE
Technology	LED
Cap/Base	N/A
Housing	Aluminium
Mount	Ceiling recessed mounting
Fixture rating	Enclosed
Operating temperature range (°C)	25°C...+25°C
Performance ambient temperature Tq (°C)	25
Warranty	5 years

OPTICAL DATA

Fixture luminous flux (lm)	3601
Luminaire efficacy (lm/W)	103
LOR (%)	100
Colour temperature (K)	3000
Light colour	Warm White
CRI (Ra)	90
Colour Variation Initial (SDCM)	3
Photobiological Risk Group	RG1

ELECTRICAL DATA

Total power consumption (W)	35
Primary Supply/Product voltage - min (V)	220
Lamp power factor	0.95
Electrical protection	Class II
Control gear required	No
Control gear type	Electronic ballast
Control gear mounting	Remote

Concord

EXPOSPOT 90 MONO HO RA90 3000K VNB WHITE 2070087

Drive current (mA)	900
Inrush Current (A)	19.4
Inrush Duration (µs)	250
Glow Wire Test (°C)	850
Energy Efficiency Class (A->G) of contained light source	E
Nominal Frequency (Hz)	50/60Hz
Max. products per 10A C Breaker	21
Max. products per 20A B Breaker	27
Connectable conductor cross section - Min (mm ²)	0.5
Connectable conductor cross section - Max (mm ²)	1.5

LIFETIME DATA

Lifespan L70 B50	100000
Lifespan L80 B20	100000
Lifespan L90 B10	54500

PHYSICAL DATA

Housing colour	White
IP rating	IP20
IK rating	IK02
Diffuser finish	Other
Diffuser material	Other
Nominal Product Width (mm)	163
Nominal Product Diameter (mm)	163
Weight (kg)	0.77
Recessed Depth (mm)	104

PACKAGING

Single packaging type	Carton
Product EAN number	5025768700875
Packaging single width (cm)	18.0

Concord

EXPOSPOT 90 MONO HO RA90 3000K VNB WHITE 2070087

Packaging single depth (cm)	16.0
DUN14 (outer)	05025768700875
Packaging outer length / height (cm)	18.0

SAFETY DATA

Optimal operating condition (°C)	25-25
Special purpose lamp	No
Dry applications use only	No
Suitable for household illumination	No