

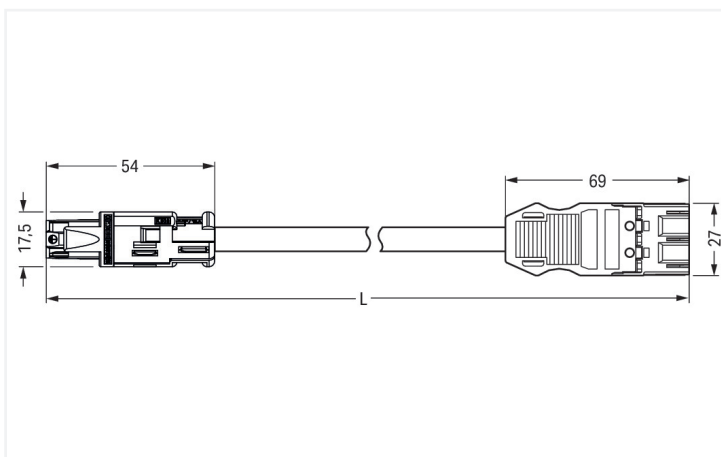
Data Sheet | Item Number: 774-9373/1516-305

pre-assembled adapter cable; Dca; Socket/plug MIDI; 3-pole; Cod. S; H05Z1Z1-F
3x1,5 mm²; 3 m; 1,50 mm²; brown

<https://www.wago.com/774-9373/1516-305>



Color: ■ brown



Dimensions in mm

Cable assembly WINSTA® RD 3-pole

The WINSTA® RD cable assembly rated current 16 A is the pluggable solution for your application in control cabinets, on PCBs or for lighting connections. On PCBs, in control cabinets or for connecting lights – pluggable installation connectors from WAGO allow you to make connections according to a huge variety of requirements in seconds. The pluggable installation connector offers touch-proof protection with live components in accordance with

protection type IP20 (When mated: IP2xC (These compact connectors are not designed for use in open, easily accessible areas!)). WINSTA® RD: Solutions from this product line are suitable for drill holes and conduits with diameters up to 20 mm. Not using halogen additives in the manufacture of this cable assembly significantly increases fire safety and minimises environmental pollution.

Fast, secure pluggable connections – cable assemblies from WAGO

The cable assembly is equipped with a RD socket and a MIDI plug. The WINSTA® Pluggable Connection System allows pluggable electrical installation. This saves time, lowers costs, and reduces the need for servicing. Now you can also lower installation expenses without compromising quality and safety: with marking eliminates the need for servicing and prevents unnecessary downtime.

- products perfectly tailored to your requirements guarantee safe use
- with S coding for use in components such as motors or frequency converters
- flexible installation to save space
- convenient installation and commissioning

Notes	
Note	Cables with a different fire class can be found in the eShop.

Electrical data	
Ratings per IEC/EN	
Ratings per	IEC/EN 60664-1
Nominal voltage (III/3)	250 V
Rated impulse withstand voltage (III / 3)	4 kV
Rated current	16 A
Legend (ratings)	(III / 3) Δ Overvoltage category III / Pollution degree 3
General information	
Note on contact resistance	approx. 1 mΩ of contact resistance approx. 0.25 mΩ contact transition plug/ socket

Connection Data	
Total number of potentials	3
Connection 1	
Pole number	3
Wire cross-section	1.5 mm²
Connection type	RD socket - MIDI plug

Physical data	
Width	27 mm / 1.063 inches
Height	17.5 mm / 0.689 inches
Total length	3 m

Mechanical data	
Use	Switching function
Coding	S
Variable coding	No
Marking	1 2 L
Potential marking	L 2 1
Mating force of a plug-in connection	Approx. 30 ... 70 N (depending on pole number)
Retention force of a plug-in connection	when locked: > 80N
Unmating force of a plug-in connection	Unlocked: approx. 30 ... 70 N (depending on pole number)
Number of mating cycles	200, without resistive load
Connection type	RD socket - MIDI plug
Type of pre-assembled cable	Adapter cable
Cable type	H05Z1Z1-F 3x1.5

Mechanical data

Protection type	IP20; When mated: IP2xC (These compact connectors are not designed for use in open, easily accessible areas!)
-----------------	---

Plug-in connection

Mismating protection	Yes
Note on mismating protection	All <i>WINSTA</i> ® components are 100% protected against mismating when: a.) plugging different numbers of poles b.) plugging while incorrectly rotated c.) plugging while laterally staggered
Locking of plug-in connection	Locking lever

Material data

Note (material data)	Information on material specifications can be found here
Color	brown
Insulation material (main housing)	Polyamide (PA66)
Flammability class per UL94	V0
Fire class per EN 50575	D _{ca}
Contact material	Copper or copper alloy; surface-treated
Contact Plating	Tin
Fire load	0.487 MJ
Connector color	brown
Strain relief color	black
Sheathed cable color	black
Printing color of sheathed cable	white
Halogen-free	Yes
Silicon-free	Yes
Sheath material	Halogen-free
Rubber cable	No
Weight	317.8 g
Copper weight of the raw cable	0.043 kg/m

Environmental requirements

Processing temperature	-5 ... +40 °C
Continuous operating temperature	-35 ... +85 °C
Note on continuous operating temperature	Cable for temperatures ≤ 70 °C (including halogen-free) Insulating parts for temperatures ≤ 105 °C

Commercial data

PU (SPU)	1 pcs
Packaging type	unpacked
Country of origin	PL
GTIN	4066966711349
Customs tariff number	85444290900



Product Classification	
ETIM 9.0	EC002587
ETIM 10.0	EC002587
ECCN	NO US CLASSIFICATION

Environmental Product Compliance	
RoHS Compliance Status	Compliant, No Exemption

Downloads

Environmental Product Compliance

Compliance Search	
Environmental Product Compliance 774-9373/1516-305	