

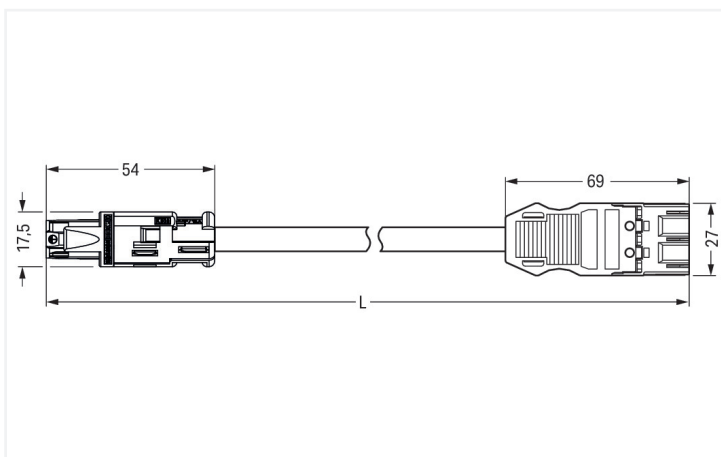
Data Sheet | Item Number: 774-9393/1517-401

pre-assembled adapter cable; Dca; Socket/plug MIDI; 3-pole; Cod. A; H05Z1Z1-F
3G 2.5 mm²; 4 m; 2,50 mm²; black

<https://www.wago.com/774-9393/1517-401>



Color: ■ black



Dimensions in mm

Cable assembly WINSTA® RD A coding

The WINSTA® RD cable assembly 3-pole is the pluggable solution for your use in control cabinets, for lighting connections or on PCBs. WAGO pluggable installation connectors are useful when requirements repeat or are distributed on a specified grid, for example for installing grid lighting or flush-mount lighting. The pluggable installation connector offers touch-proof protection with live components in accordance with protection type IP20 (When mat-

ed: IP2xC (These compact connectors are not designed for use in open, easily accessible areas!). This pluggable installation connector can be employed for a voltage load of up to 20 A. Therefore, it can also be used for high power loads. With WINSTA® RD, we have introduced a product line that fits like a glove into conduits or boreholes due to its design. Eliminating halogens as an additive in the production of this cable assembly noticeably increases fire safety and reduces environmental contamination.

Fast, secure pluggable connections – cable assemblies from WAGO

The cable is pre-assembled with a RD socket and a MIDI plug. WINSTA® is the pluggable connection system that is optimally tailored to the strict requirements of electrical installation. It allows error-free installation of cables and components, quickly and reliably. Choose durability and quality – with protection against mismatching from WAGO makes the electrical installation of electrical components significantly easier.

- saves time, since no wiring is required at the construction site
- with A coding for use in a large number of general mains applications
- ready for immediate use
- convenient installation and commissioning

Notes

Note Cables with a different fire class can be found in the eShop.

Electrical data

Ratings per IEC/EN

Ratings per	IEC/EN 60664-1
Nominal voltage (III/3)	250 V
Rated impulse withstand voltage (III / 3)	4 kV
Rated current	20 A
Legend (ratings)	(III / 3) \triangleq Overvoltage category III / Pollution degree 3

General information

Note on contact resistance	approx. 1 m Ω of contact resistance approx. 0.25 m Ω contact transition plug/ socket
----------------------------	---

Connection Data

Total number of potentials	3
----------------------------	---

Connection 1

Pole number	3
Wire cross-section	2.5 mm ²
Connection type	RD socket - MIDI plug

Physical data

Width	27 mm / 1.063 inches
Height	17.5 mm / 0.689 inches
Total length	4 m

Mechanical data

Use	General mains applications
Coding	A
Variable coding	No
Marking	L \oplus N
Potential marking	N \oplus L
Mating force of a plug-in connection	Approx. 30 ... 70 N (depending on pole number)
Retention force of a plug-in connection	when locked: > 80N
Unmating force of a plug-in connection	Unlocked: approx. 30 ... 70 N (depending on pole number)
Number of mating cycles	200, without resistive load
Connection type	RD socket - MIDI plug
Type of pre-assembled cable	Adapter cable
Cable type	H05Z1Z1-F 3G2.5

Mechanical data

Protection type	IP20; When mated: IP2xC (These compact connectors are not designed for use in open, easily accessible areas!)
-----------------	---

Plug-in connection

Mismating protection	Yes
Note on mismating protection	All <i>WINSTA</i> ® components are 100% protected against mismating when: a.) plugging different numbers of poles b.) plugging while incorrectly rotated c.) plugging while laterally staggered
Locking of plug-in connection	Locking lever

Material data

Note (material data)	Information on material specifications can be found here
Color	black
Insulation material (main housing)	Polyamide (PA66)
Flammability class per UL94	V0
Fire class per EN 50575	D _{ca}
Contact material	Copper or copper alloy; surface-treated
Fire load	0.481 MJ
Connector color	black
Strain relief color	black
Sheathed cable color	black
Printing color of sheathed cable	white
Halogen-free	Yes
Silicon-free	Yes
Sheath material	Halogen-free
Rubber cable	No
Weight	648.6 g
Copper weight of the raw cable	0.072 kg/m

Environmental requirements

Continuous operating temperature	-35 ... +85 °C
Note on continuous operating temperature	Cable for temperatures ≤ 70 °C (including halogen-free) Insulating parts for temperatures ≤ 105 °C

Commercial data

PU (SPU)	1 pcs
Packaging type	unpacked
Country of origin	PL
GTIN	4066966711158
Customs tariff number	85444290900

Product Classification

ETIM 9.0	EC002587
ETIM 10.0	EC002587
ECCN	NO US CLASSIFICATION

Environmental Product Compliance

RoHS Compliance Status

Compliant, No Exemption

Downloads

Environmental Product Compliance

Compliance Search

Environmental Product
Compliance
774-9393/1517-401

