

SPIROTECH SPECIFICATION SHEET



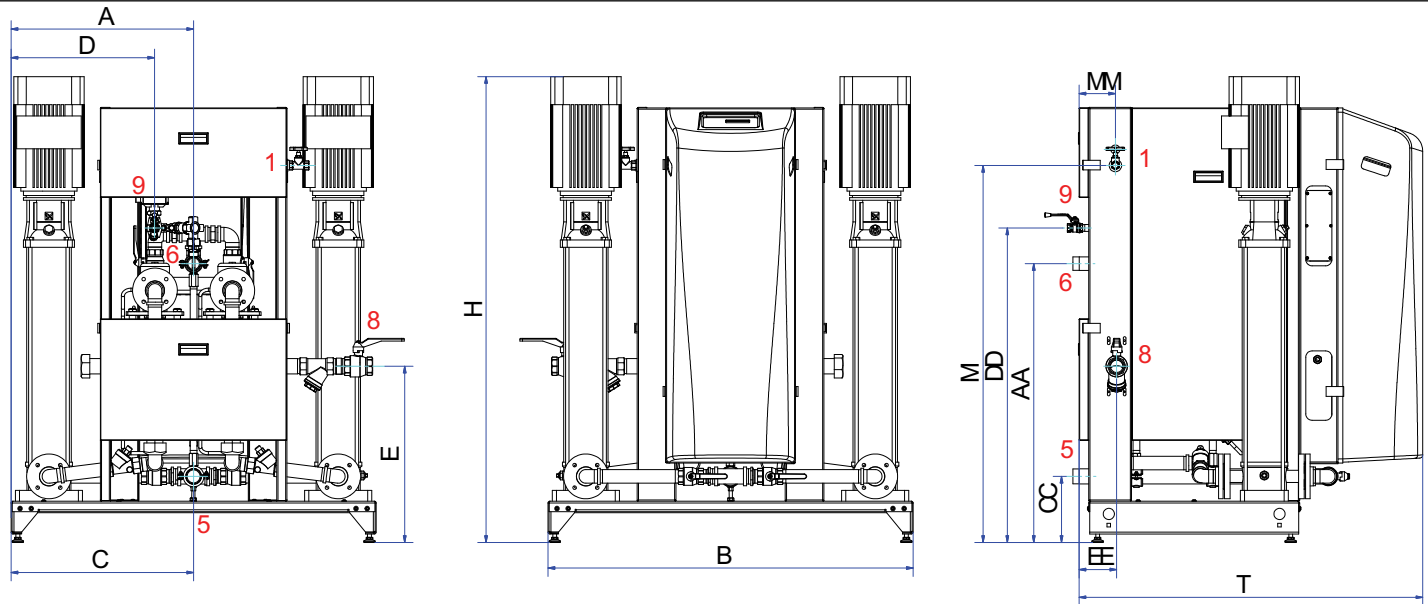
MultiControlModular D5-6.2-twin

Customer:

Project:

Reference:

Type: **EMCM-D5-6.2-TWIN**



Design criteria

Medium:	Water / glycol (max 40%)
Min. Pressure:	2.4 bar-g
Discharge:	6.2 bar-g
Max. pressure:	16.0 bar-g
Max. temperature:	70 °C
Ambient temperature:	0 - 40 °C
Refill fluid:	0 - 70 °C

Testing and quality assurance

Running test:	yes
Test medium:	Water
High voltage test:	yes
Test certificate:	no
CE-marking:	yes
Material certificates:	no

Construction materials

Fittings / pipes:	Copper/Brass
Pump:	AISI316
Main pump:	Vertical multistage 2 x 50%
Overflow valve(s)	2 x 100%
Casing:	Galvanised steel plate
Color:	Yellow (RAL 1003)

Power supply

Voltage:	[3x] 400V~/50Hz
Power consumption:	3.2 kW
Protection level:	IPX4D

Dimensions

Height:	1359 mm
Width:	1142 mm
Depth:	1075 mm
A	571 mm
AA	909 mm
B	1142 mm
C	571 mm
CC	180 mm
D	448 mm
DD	1030 mm
E	551 mm
EE	118 mm
H	1359 mm
M	1179 mm
MM	114 mm
T	1075 mm

Dry weight (approx): 274 kg

Connections

1. Refill	Rp1/2 Rp3/4
5. suction pipe	R6/4
6. overflow pipe	R2
8. Exp. pressure pipe	Rp2

Subject to changes