

# Wieland gesis® distribution box, ON/OFF, P48 DALI-2

**353-70812**



This distribution box supports control of non-dimmable luminaires. It can be used in combination with P48 DALI-2 master detectors with two Wieland gesis® cables and connectors. Extend your installation with distribution box 353-70814 to divide the power distribution to the DALI luminaires over two circuit breakers and achieve a higher security of supply. External connectors for 230 V power supplies, 230 V push buttons and 230 V non-dimmable luminaires are included. Each connector is unique, which helps to avoid installation errors and save time.



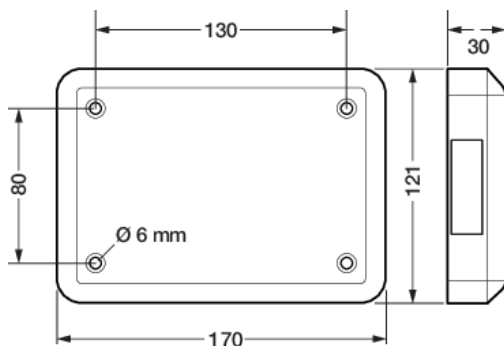
Colour: black

## Technical data

Wieland gesis® distribution box, ON/OFF, P48 DALI-2

- Protection degree: IP20
- Dimensions (HxWxD): 30 mm x 170 mm x 121 mm
- Marking: CE

## Dimensions



## Wiring diagram

