

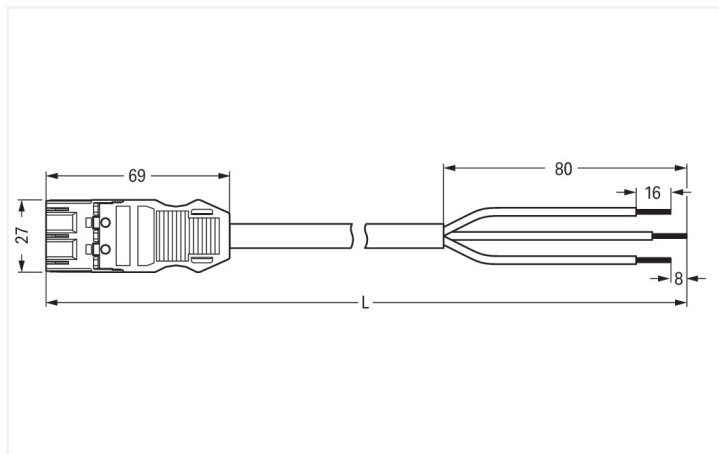
## Data Sheet | Item Number: 771-9393/3217-401

pre-assembled connecting cable; Dca; Plug/open-ended; 3-pole; Cod. A; H05Z1Z1-F 3G 2.5 mm<sup>2</sup>; 4 m; 2,50 mm<sup>2</sup>; black

<https://www.wago.com/771-9393/3217-401>



Color: ■ black



Dimensions in mm

Cable assembly *WINSTA*® MIDI with protection type IP20

Use effective pluggable connections instead of laborious screw connections: With the *WINSTA*® MIDI cable assembly rated current 20 A. WAGO pluggable installation connectors are useful when requirements repeat or are planned on a defined pattern, for example for installing grid lighting or flush-mount lighting. The pluggable installation connector offers protection against contact with live components in accordance with protection type IP20 (When mated: IP2xC (These compact connectors are not designed for use in open, easily accessible areas!)). Standard mains applications for almost any domain of use can be realised with *WINSTA*® MIDI pluggable installation connectors with A coding. This pluggable installation connector can be used for electrical currents up to 20 A. Thus the product is also suitable for high power loads. *WINSTA*® MIDI with Push-in CAGE CLAMP® spring pressure connection technology is used in can be found in a variety of projects you can use for quick, easy and maximally flexible electrical installation. The cable assembly is free of halogen. This eliminates the addition of environmental pollutants during production. It also increases the fire class, since halogen-free materials are flame-resistant.

Pluggable connections instead of screw connections – cable assemblies from WAGO

A plug and a free end are provided. The *WINSTA*® Pluggable Connection System is perfectly tailored to the strict requirements of building installation. It makes electrical installation pluggable, and therefore faster, even more reliable, and error-free. Use of this pre-assembled system reduces assembly times and installation errors at the construction site. Now you can also cut installation costs without compromising quality and safety: with strain relief hosting eliminates the need for servicing and prevents unnecessary downtime.

- for automation controllers
- with A coding for use in many general mains applications
- custom-engineered solutions
- quick replacement of defective units during ongoing operation

### Notes

Note

Cables with a different fire class can be found in the eShop.

## Electrical data

### Ratings per IEC/EN

|   |  |
|---|--|
| Ratings per                               | IEC/EN 60664-1   |
| Nominal voltage (III/3)                   | 250 V  |
| Rated impulse withstand voltage (III / 3) | 4 kV   |
| Rated current                             | 20 A   |
| Legend (ratings)                          | (III / 3) $\Delta$ Overvoltage category III / Pollution degree 3 |

### General information

|                            |  |
|----------------------------|--|
| Note on contact resistance | approx. 1 m $\Omega$ of contact resistance<br>approx. 0.25 m $\Omega$ contact transition plug/socket |
|----------------------------|--|

## Connection Data

|                            |                           |
|----------------------------|---------------------------|
| Total number of potentials | 3                         |
| PE function                | Preceding PE contact      |
| Conductor preparation      | ultrasonically tip-bonded |

### Connection 1

|                                 |                     |
|---------------------------------|---------------------|
| Strip length                    | 16 mm / 0.63 inches |
| Pole number                     | 3                   |
| Wire cross-section              | 2.5 mm <sup>2</sup> |
| Strip length (outer insulation) | 80 mm               |
| Connection type                 | Plug - free end     |

## Physical data

|              |                        |
|--------------|------------------------|
| Pin spacing  | 10 mm / 0.394 inches   |
| Width        | 27 mm / 1.063 inches   |
| Height       | 12.9 mm / 0.508 inches |
| Total length | 4 m                    |

## Mechanical data

|   |   |
|---|---|
| Use                                     | General mains applications  |
| Coding                                  | A   |
| Variable coding                         | Yes   |
| Marking                                 | L $\oplus$ N  |
| Potential marking                       | L $\oplus$ N  |
| Mating force of a plug-in connection    | approx. 20 ... 70 N (depending on pole number)  |
| Retention force of a plug-in connection | when locked: > 80N  |
| Unmating force of a plug-in connection  | when unlocked: approx. 20 ... 70 N (depending on pole number)   |
| Number of mating cycles                 | 200, without resistive load   |
| Connection type                         | Plug - free end   |
| Type of pre-assembled cable             | Connecting cable  |
| Cable type                              | H05Z1Z1-F 3G2.5   |
| Protection type                         | IP20; When mated: IP2xC (These compact connectors are not designed for use in open, easily accessible areas!) |
| Suitable                                | for switches and outlet installation  |

## Plug-in connection

|                               |  |
|-------------------------------|--|
| Mismating protection          | Yes  |
| Note on mismating protection  | All WINSTA® components are 100% protected against mismating when:<br>a.) plugging different numbers of poles<br>b.) plugging while rotated 180<br>c.) plugging while laterally staggered<br>d.) plugging one pole  |
| Locking lever                 | Can be retrofitted   |
| Locking of plug-in connection | Locking lever  |
| Note on locking system        | All connectors for mounted installations (snap-in versions for lighting fixtures or devices, all types of PCB and distribution connectors) are factory-equipped with locking levers to ensure plugs and sockets are securely locked. Additional locking levers are only required for flying leads (plug/socket). |

### Material data

|                                    |  |
|------------------------------------|--|
| Note (material data)               | <a href="#">Information on material specifications can be found here</a> |
| Color                              | black  |
| Insulation material (main housing) | Polyamide (PA66)   |
| Fire class per EN 50575            | D <sub>ca</sub>  |
| Contact material                   | Copper or copper alloy; surface-treated                                  |
| Contact Plating                    | Tin  |
| Fire load                          | 0.319 MJ   |
| Connector color                    | black  |
| Strain relief color                | black  |
| Printing color of strain relief    | white  |
| Sheathed cable color               | black  |
| Printing color of sheathed cable   | white  |
| Halogen-free                       | Yes  |
| Silicon-free                       | Yes  |
| Sheath material                    | Halogen-free   |
| Rubber cable                       | No   |
| Weight                             | 644.8 g  |
| Copper weight of the raw cable     | 0.072 kg/m   |

### Environmental requirements

|  |   |
|--|---|
| Processing temperature                   | -5 ... +40 °C   |
| Continuous operating temperature         | -35 ... +85 °C  |
| Note on continuous operating temperature | Cable for temperatures ≤ 70 °C (including halogen-free)<br>Insulating parts for temperatures ≤ 105 °C |

### Commercial data

|                       |               |
|-----------------------|---------------|
| PU (SPU)              | 1 pcs         |
| Packaging type        | unpacked      |
| Country of origin     | PL            |
| GTIN                  | 4066966710816 |
| Customs tariff number | 85444290900   |

### Product Classification

|           |                      |
|-----------|----------------------|
| ETIM 9.0  | EC002587             |
| ETIM 10.0 | EC002587             |
| ECCN      | NO US CLASSIFICATION |

### Environmental Product Compliance

|                        |                         |
|------------------------|-------------------------|
| RoHS Compliance Status | Compliant, No Exemption |
|------------------------|-------------------------|

Downloads

Environmental Product Compliance

Compliance Search

Environmental Product Compliance  
771-9393/3217-401



1 Compatible Products

1.1 Required Accessories

1.1.1 Locking system

1.1.1.1 Locking system



[Item No.: 770-101](#)  
Locking lever; for flying leads; for manual operation; black



[Item No.: 770-121](#)  
Locking lever; for flying leads; for manual operation; white



[Item No.: 770-111](#)  
Locking lever; for flying leads; for tool operation; black



[Item No.: 770-131](#)  
Locking lever; for flying leads; for tool operation; white

1.2 Optional Accessories

1.2.1 Cover

1.2.1.1 Cover



[Item No.: 770-360](#)  
Lockout cap; for plugs; 5-pole; separable; yellow



[Item No.: 897-2003](#)  
Protective cap; Type2; for sockets and plugs; PVC; red

1.2.2 Installation

1.2.2.1 Mounting accessories



[Item No.: 770-310](#)  
Mounting carrier; 2- to 5-pole; for flying leads; black

1.2.3 Marking

1.2.3.1 Marker



[Item No.: 770-450/000-006](#)  
Marker card; Plastic; blue



[Item No.: 770-450/000-001](#)  
Marker card; Plastic; green



[Item No.: 770-450/000-012](#)  
Marker card; Plastic; orange



[Item No.: 770-450/000-005](#)  
Marker card; Plastic; red



[Item No.: 770-450](#)  
Marker card; Plastic; white



[Item No.: 770-450/000-002](#)  
Marker card; Plastic; yellow

### 1.2.3.2 Marking strip



**Item No.: 210-334**

Marking strips; as a DIN A4 sheet; Strip width 5 mm; Strip length 182 mm; plain; Self-adhesive; white