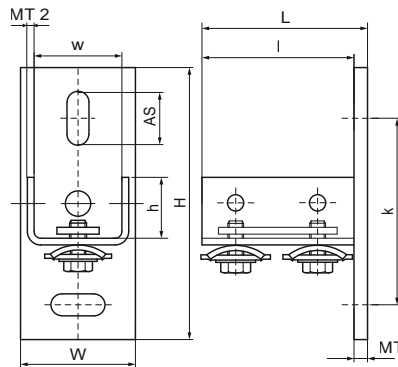
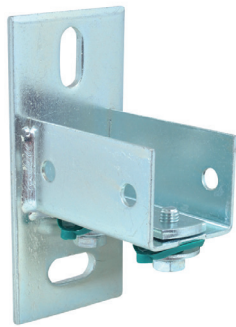


Walraven RapidRail® Wall Plate

(G1506)

base foot to connect fixing rails



Features & benefits

- flexible base plate to connect fixing rail type 38x40 (WM35) with individual length
- to be used on wall, floor or ceiling
- rail can be fixed with slot downwards or sideways
- anchoring slots at 90° to each other to simplify fixing
- CO₂ welded
- with pre-assembled Walraven RapidRail® slide nuts for a quick fixing, and retains assembly in place before final tightening
- material: metal parts made of steel 1.0332; spring(s) made of POM (polyoxymethylene), green
- zinc plated



Product Number	For Rail Type	Total Height	Total Width	Total Length	Width	Height	Length	Heart To Heart Distance	Anchoring Slot	Fixing Hole	Material Thickness	Material Thickness 2
Reference Letter		H	W	L	w	h	l	k	AS	FH	MT	MT 2
Unit description		mm	mm	mm	mm	mm	mm	mm	mm	mm	mm	mm
6613235	38x40	133	60	80	45	40	75	93	25x11	9	5.00	2