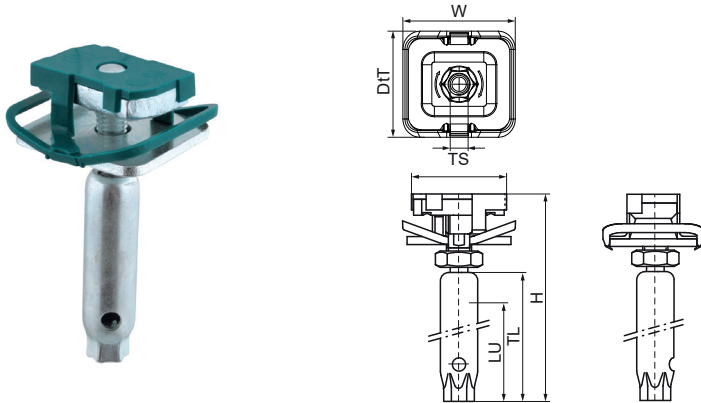


Walraven RapidStrut® Ball Swivel Hanger

(H2475)

for flexible connections and pipe movement



Features & benefits

- slide nut with ball swivel hanger, washer and Walraven RapidStrut® spring
- recommended for metal pipes up to DN 50, plastic pipes up to DN 100
- ready-to-use pre-assembled for a quick fixing, and retains assembly in place before final tightening
- with inspection hole to check screw-in depth (attention: when the threaded rod is screwed-in too deep, the ball swivel is blocked)
- screw-in depth is continuously variable (see LU)
- material: metal parts made of steel 1.0332; spring(s) made of POM (polyoxymethylene), green
- zinc plated
- tested for fire safety according to EN 1363-1
- Always use 2 ball swivel hangers and secure by additional hexagon nut (see application picture).
- The maximum length change that can be dealt with, depends on the fixing distance (ceiling - pipe). The height difference that occurs as a result, needs to be taken into consideration.
- To be used in combination with Walraven Ball Swivel Hangers.



Product Number	For Rail Type	Thread Size	Thread Length	Usable Length	Maximum Allowed Load Faz	Total Height	Total Width	Total Depth
<i>Reference Letter</i>		<i>TS</i>	<i>TL</i>	<i>LU</i>	<i>Fa,z</i>	<i>H</i>	<i>W</i>	<i>DtT</i>
<i>Unit description</i>			<i>mm</i>	<i>mm</i>	<i>N</i>	<i>mm</i>	<i>mm</i>	<i>mm</i>
66530005	41x21, 41x41, 41x51, 41x62, 41x82	M10	50	43	3,100	80	43.2	40.8
66530805	41x21, 41x41, 41x51, 41x62, 41x82	M8	50	37.5	3,100	80	43.2	40.8