

Product data sheet Spirotech

Product name

SpiroTrap MBC -22mm -Magnet -Uni

Product properties

A small brass dirt separator with magnet and a 22 mm - 1" universal connection

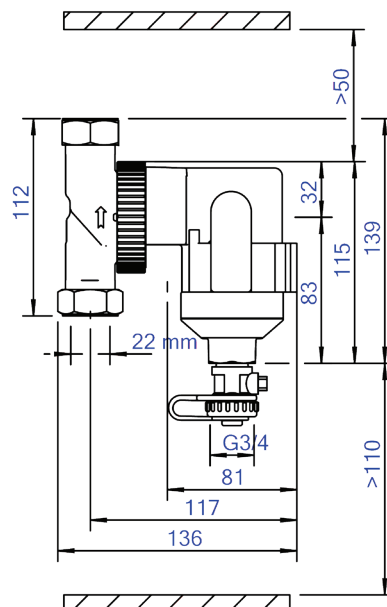
Article number

UE022WH

Product image



Product dimensions



Product data sheet Spirotech

ETIM product data

Housing material	Brass	Suitable for closed system	Yes
With drain valve	Yes	Suitable for solar	No
Housing material quality	Other	Whirl operating principle	No
Backwash filter	No	Negative pressure operating principle	No
Medium temperature (continuous)	0 - 110 °C	With dismountable filter	No
Max. operating pressure	10 bar	Filter volume	0.36 l
Kvs value	9.07	Magnet operating principle	Yes
Variable flow direction	Yes	Thrust operating principle	No
With insulation	No	With automatic de-aerator	No
Separator type	Dirt	Partial flow principle	No
Connection	Compression ring	Principle full flow with settling	Yes
Model	Horizontal/vertical	With integrated replenishment automat	No
Nominal diameter	Other	With couplers	Yes
Max. glycol mixture	50 %	Cleaning possible during operation	Yes
Suitable for heating	Yes	Material of connection	Brass
Suitable for cooling	Yes	Inlet/outlet offset distance	0 mm
Outer pipe diameter	22 mm	Material quality connection	Other
Construction length	120 mm	Flow-through capacity	0 - 1.3 m ³ /h
Article compression class	PN 10	Operating principle	Magnet
Surface protection	Untreated	Magnet location	External
Suitable for open system	No		

Disclaimer

This product sheet has been compiled with the greatest possible care. Nevertheless, it may contain errors or omissions. For the most current and correct information we refer you to our website.

