

Wieland gesis® distribution box, standby minimisation, P48 DALI-2

353-70813

CE

4 year warranty

This distribution box supports standby minimisation and ensures that the standby consumption of the connected DALI luminaires is set at 0 watts when no presence is detected in the room. It can be used in combination with P48 DALI-2 master detectors with two Wieland gesis® cables and connectors. Extend your installation with distribution box 353-70814 to divide the power distribution to the DALI luminaires over two circuit breakers and achieve a higher security of supply. External connectors for 230 V power supplies and 230 V push buttons are included. Each connector is unique, which helps to avoid installation errors and save time.



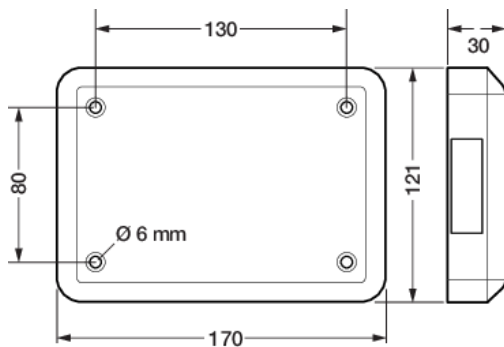
Colour: black

Technical data

Wieland gesis® distribution box, standby minimisation, P48 DALI-2

- Protection degree: IP20
- Dimensions (HxWxD): 30 mm x 170 mm x 121 mm
- Marking: CE

Dimensions



Wiring diagram

