

Wieland gesis® distribution box, 2-circuit, P47/P48 DALI-2

353-70814

CE

4 year warranty

This distribution box can be used in combination with distribution boxes 353-70811, 353-70812 and 353-70813, or with a DALI-2 BMS system, to divide the power distribution to the DALI luminaires over two circuit breakers and achieve a higher security of supply. It is to be combined with Niko P48 DALI-2 master detectors with Wieland gesis® cables and connectors. External connectors for both power supply circuits are included. Each connector is unique, which helps to avoid installation errors and save time.

Colour: black

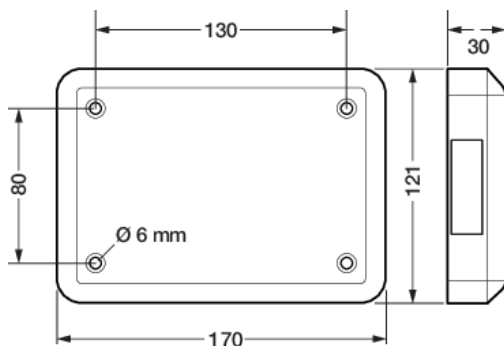


Technical data

Wieland gesis® distribution box, 2-circuit, P47/P48 DALI-2

- Protection degree: IP20
- Dimensions (HxWxD): 30 mm x 170 mm x 121 mm
- Marking: CE

Dimensions



Wiring diagram

