

# Product data sheet Spirotech

## Product name

**SpiroVent -1 1/4" -Hor -St.Steel -HighT -AISI316**

## Product properties

A stainless steel (microbubble) deaerator for high-temperature systems (max. 180 °C) with a horizontal 1 1/4" connection.

- Removes all circulating air and microbubbles effectively
- Applicable for high temperature system configurations
- Removes trapped air when installed at the correct location
- Greatly reduces the need for manual venting
- Constant low-pressure drop
- No unnecessary shutdown
- Connection diameter 1 1/4" (G1 1/4)
- Exceptional guarantee

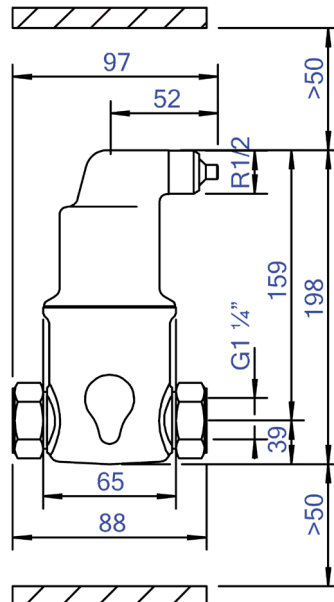
## Article number

**AA125/R007**

## Product image



## Product dimensions



# Product data sheet Spirotech

## ETIM product data

Housing material	Stainless steel
With drain valve	No
Housing material quality	Stainless steel 316 L (1.4404)
Backwash filter	No
Medium temperature (continuous)	0 - 180 °C
Max. operating pressure	10 bar
KVS value [m <sup>3</sup> /h] at ΔP 1 bar	63.39
Variable flow direction	Yes
With insulation	No
Separator type	Air
Connection	Internal thread cylindrical BSPT-Rp (ISO 7-1 / EN 10226-1)
Model	Horizontal
Nominal diameter	1 1/4 inch (32)
Max. glycol mixture	50 %
Suitable for heating	Yes

Suitable for cooling	Yes
Construction length	88 mm
Article compression class	PN 10
Surface protection	Untreated
Suitable for open system	No
Suitable for closed system	Yes
Suitable for solar	No
With dismountable filter	No
Filter volume	0.25 l
Magnet operating principle	No
With automatic de-aerator	Yes
With couplers	Yes
Inlet/outlet offset distance	0 mm
Material of connection	Other
Flow-through capacity	0 - 3.6 m <sup>3</sup> /h

### Disclaimer

This product sheet has been compiled with the greatest possible care. Nevertheless, it may contain errors or omissions. For the most current and correct information we refer you to our website

