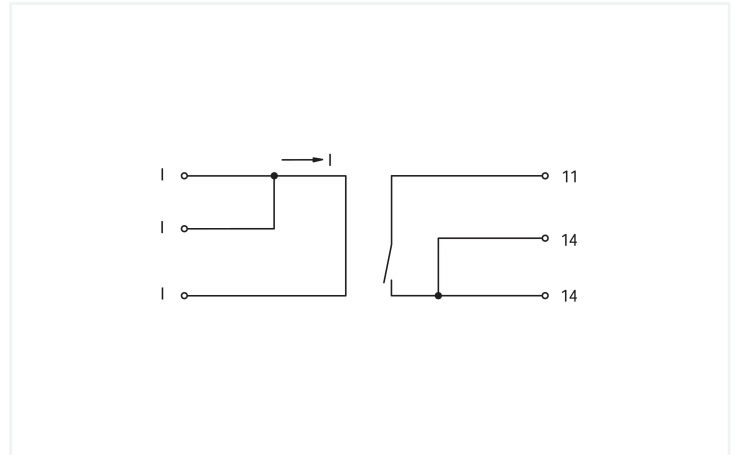


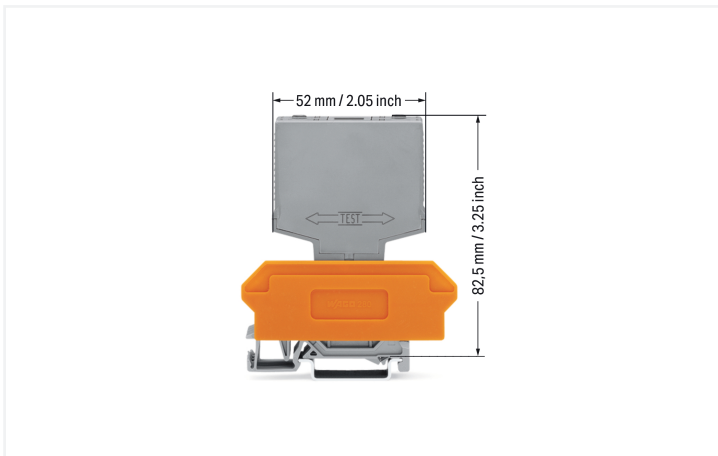
## Data Sheet | Item Number: 286-662

Current flow monitoring module; DC currents; Monitoring range: 0.4 A – 3.5 A; 1 make contact; light gray

<https://www.wago.com/286-662>



Color: ■ light gray



### Technical data

#### Input

Voltage drop	24 ... 240 mV
Response time	0.5 ms

### Safety and protection

Dielectric strength, input/output (AC, 1 min)	1.5 kVrms
---	-----------

### Physical data

Width	15 mm / 0.591 inches
Height	52 mm / 2.047 inches
Depth from upper-edge of DIN-rail	82.5 mm / 3.25 inches

### Mechanical data

Mounting type	Pluggable module for receptacle terminal blocks
Housing design	Plug for carrier terminal blocks

### Material data

Color	light gray
Fire load	0.326 MJ
Weight	22.7 g

### Environmental requirements

Ambient temperature (operation)	-25 ... +40 °C
Relative humidity	5 ... 95 % (no condensation permissible)
Operating altitude (max.)	2000 m

### Commercial data

Product Group	6 (INTERFACE ELECTRONIC)
PU (SPU)	15 (1) pcs
Packaging type	Box
Country of origin	DE
Customs tariff number	85364900990

### Product Classification

UNSPSC	39122330
eCl@ss 10.0	27-37-18-02
eCl@ss 9.0	27-37-18-02
ETIM 9.0	EC001440
ETIM 10.0	EC001440
ECCN	NO US CLASSIFICATION

### Environmental Product Compliance

RoHS Compliance Status	Compliant, No Exemption
------------------------	-------------------------

Main product function	Current flow monitoring module
Product type	Specialty electronics
Series	286

Approvals / Certificates

General approvals



Approval	Standard	Certificate Name
EAC GZO Almaty Standart	TP TC 020/2011	EAC CoC 03081

Downloads

Environmental Product Compliance

Compliance Search

Environmental Product Compliance 286-662



Documentation

Bid Text

286-662	19.02.2019	xml 3.56 KB	
286-662	02.04.2015	doc 24.00 KB	

Instruction Leaflet

Operation and Assembly Instructions Interface	V 1.0.0 02.04.2025	pdf 1246.19 KB	
---	-----------------------	-------------------	--

CAD/CAE-Data

CAE data

WSCAD Universe 286-662



1 Compatible Products

1.1 Optional Accessories

1.1.1 Marking

1.1.1.1 Marker



Item No.: 209-701

WSB marking card; as card; not stretchable; plain; snap-on type; white

## 1.1.2 Terminal blocks

### 1.1.2.1 Terminal block for pluggable modules



**Item No.: 280-619**

Terminal block for pluggable modules; 6-pole; with 2-conductor terminal blocks; with orange separator; for DIN-rail 35 x 15 and 35 x 7.5; 2.5 mm<sup>2</sup>; CAGE CLAMP®; 2,50 mm<sup>2</sup>; gray



**Item No.: 280-763**

Terminal block for pluggable modules; 6-pole; with 4-conductor terminal blocks; with marker carrier; with orange separator; for DIN-rail 35 x 15 and 35 x 7.5; 2.5 mm<sup>2</sup>; CAGE CLAMP®; 2,50 mm<sup>2</sup>; gray



**Item No.: 280-609**

Terminal block for pluggable modules; 6-pole; with 4-conductor terminal blocks; with orange separator; for DIN-rail 35 x 15 and 35 x 7.5; 2.5 mm<sup>2</sup>; CAGE CLAMP®; 2,50 mm<sup>2</sup>; gray