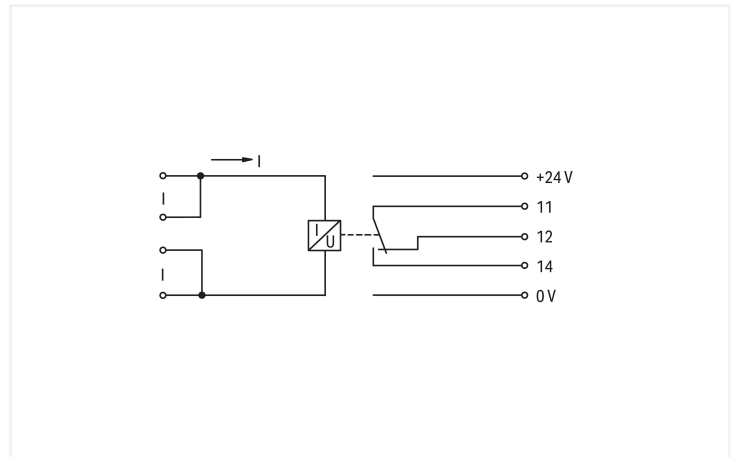
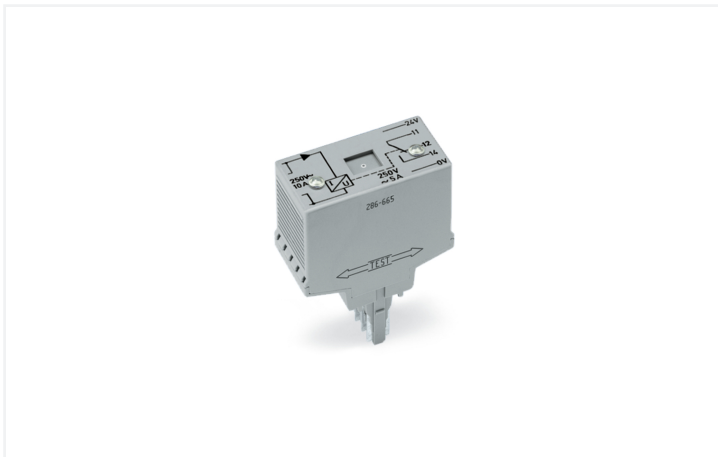


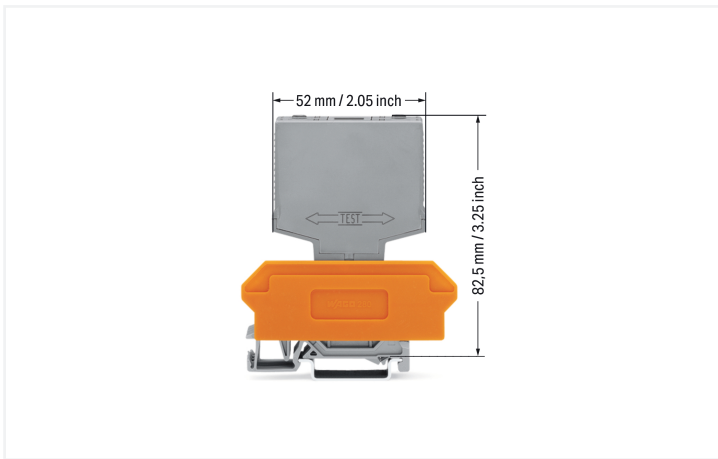
Data Sheet | Item Number: 286-665

Current flow monitoring module; AC currents; Monitoring range: 1 A – 10 A; 1 changeover contact; light gray

<https://www.wago.com/286-665>



Color: ■ light gray



Technical data

Input	
Voltage drop	23 ... 850 mV
Response time	200 ms

Power Supply	
Current consumption at nominal supply voltage	≤ 28 mA

Signaling	
Status indicator	Red LED; Energized relay (current < switching threshold)

Safety and protection

Rated Voltage	250 V
Rated impulse withstand voltage	4 kV
Pollution degree	2
Dielectric strength, input/output (AC, 1 min)	1.5 kVrms

Physical data

Width	25 mm / 0.984 inches
Height	52 mm / 2.047 inches
Depth from upper-edge of DIN-rail	82.5 mm / 3.25 inches

Mechanical data

Mounting type	Pluggable module for receptacle terminal blocks
Housing design	Plug for carrier terminal blocks

Material data

Color	light gray
Fire load	9.484 MJ
Weight	58 g

Environmental requirements

Ambient temperature (operation)	-25 ... +40 °C
Ambient temperature (storage)	-40 ... +70 °C
Relative humidity	5 ... 85 % (no condensation permissible)
Operating altitude (max.)	2000 m

Commercial data

Product Group	6 (INTERFACE ELECTRONIC)
PU (SPU)	10 (1) pcs
Packaging type	Box
Country of origin	DE
Customs tariff number	85364900990

Product Classification

UNSPSC	39122331
eCl@ss 10.0	27-37-18-02
eCl@ss 9.0	27-37-18-02
ETIM 9.0	EC001440
ETIM 10.0	EC001440
ECCN	NO US CLASSIFICATION

Environmental Product Compliance

CAS-No.	1303-86-2 1317-36-8 7439-92-1 79-94-7
REACH Candidate List Substance	2,2',6,6'-tetrabromo-4,4'-isopropylidenediphenol Diboron trioxide Lead Lead monoxide
RoHS Compliance Status	Compliant,With Exemption
RoHS Exemption	6(c) 7(a) 7(c)-I 7(c)-II
SCIP notification number (Bulgaria)	ab0a0b59-6bf2-4923-88e9-ad17aab6e282
SCIP notification number (Czech Republic)	3416c4f9-58a6-4234-a637-e4ce34879bc3

Main product function	Current flow monitoring module
Product type	Specialty electronics
Series	286

Approvals / Certificates

General approvals



Approval	Standard	Certificate Name
EAC GZO Almaty Standart	TP TC 004/2011	EAC CoC 03078

Downloads

Environmental Product Compliance




Compliance Search
Environmental Product Compliance 286-665 ↓

Documentation

Bid Text			
286-665	19.02.2019	xml 3.74 KB	↓
286-665	02.04.2015	doc 25.00 KB	↓

Instruction Leaflet			
Operation and Assembly Instructions Interface	V 1.0.0 02.04.2025	pdf 1246.19 KB	↓

CAD/CAE-Data

CAD data	CAE data
2D/3D Models 286-665 	WSCAD Universe 286-665 
	ZUKEN Portal 286-665 

1 Compatible Products

1.1 Optional Accessories

1.1.1 Marking

1.1.1.1 Marker

**Item No.: 209-701**

WSB marking card; as card; not stretchable; plain; snap-on type; white

1.1.2 Terminal blocks

1.1.2.1 Terminal block for pluggable modules

**Item No.: 280-639**

Terminal block for pluggable modules; 10-pole; with 2-conductor terminal blocks; with orange separator; for DIN-rail 35 x 15 and 35 x 7.5; 2.5 mm²; CAGE CLAMP®; 2,50 mm²; gray

**Item No.: 280-765**

Terminal block for pluggable modules; 10-pole; with 4-conductor terminal blocks; with marker carrier; with orange separator; for DIN-rail 35 x 15 and 35 x 7.5; 2.5 mm²; CAGE CLAMP®; 2,50 mm²; gray

**Item No.: 280-629**

Terminal block for pluggable modules; 10-pole; with 4-conductor terminal blocks; with orange separator; for DIN-rail 35 x 15 and 35 x 7.5; 2.5 mm²; CAGE CLAMP®; 2,50 mm²; gray