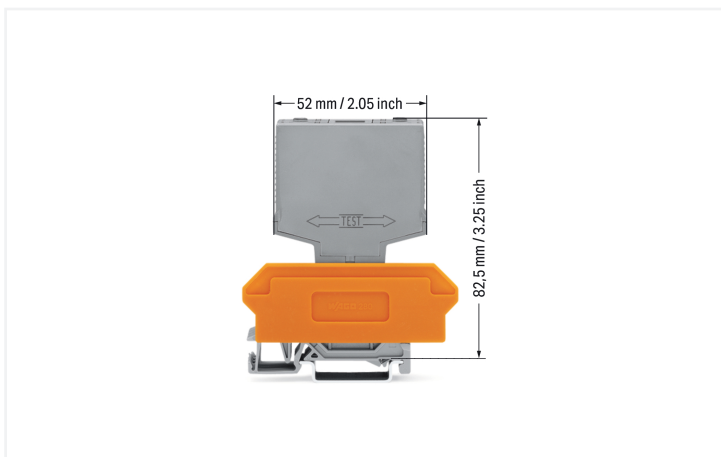


Color: ■ light gray



Notes

Note	Only use the product in signal processing networks that are not supplied directly from the low-voltage power supply network.
------	--

Technical data

Input		Power Supply	
Input signal (current)	AC 0 ... 6 A	Nominal supply voltage U_S	24 VDC
Input voltage (max.)	250 VAC	Supply voltage range	$\pm 10\%$
Frequency range	50 Hz	Current consumption at nominal supply voltage	$\leq 22 \text{ mA (+ } I_{D0})$
Voltage drop	10 ... 100 mV		
Response threshold	80 mA		
Response time	40 ms		

Output (digital)

Switching voltage (DO) max.	Supply voltage applied
Continuous current (DO) max.	50 mA (DC)

Signaling

Status indicator	Green LED; Output: 0 V (operation; current > 80 mA) Red LED; Output: 24 VDC (current flow interruption; current < 80 mA)
------------------	---

Safety and protection

Rated Voltage	250 V
Rated impulse withstand voltage	3.8 kV
Overvoltage category	II
Pollution degree	2
Dielectric strength, input/output (AC, 1 min)	2.2 kVrms
Insulation type	Basic insulation
Insulation type (between adjacent devices of the same type)	Double insulation (safe isolation)
Insulation type (to adjacent devices of different types)	Basic insulation
Protection type	IP20

Physical data

Width	20 mm / 0.787 inches
Height	52 mm / 2.047 inches
Depth from upper-edge of DIN-rail	82.5 mm / 3.25 inches

Mechanical data

Mounting type	Pluggable module for receptacle terminal blocks
Housing design	Plug for carrier terminal blocks

Material data

Color	light gray
Fire load	4.018 MJ
Weight	46.6 g

Environmental requirements

Ambient temperature (operation)	-25 ... +40 °C
Ambient temperature (storage)	-40 ... +70 °C
Temperature range of connection cable	$\geq (T_{\text{ambient}} + 30 \text{ K})$
Relative humidity	5 ... 95 % (no condensation permissible)
Operating altitude (max.)	2000 m

Commercial data

Product Group	6 (INTERFACE ELECTRONIC)
PU (SPU)	10 (1) pcs
Packaging type	Box
Country of origin	DE
Customs tariff number	85364900990

Product Classification	
UNSPSC	39122331
eCl@ss 10.0	27-37-18-02
eCl@ss 9.0	27-37-18-02
ETIM 9.0	EC001440
ETIM 10.0	EC001440
ECCN	NO US CLASSIFICATION

Environmental Product Compliance	
CAS-No.	1303-86-2 1317-36-8 7439-92-1 79-94-7
REACH Candidate List Substance	2,2',6,6'-tetrabromo-4,4'-isopropylidenediphenol Diboron trioxide Lead Lead monoxide
RoHS Compliance Status	Compliant,With Exemption
RoHS Exemption	6(c) 7(a) 7(c)-I 7(c)-II
SCIP notification number (Austria)	12e65cbe-cb4a-4d55-bfc9-560d50e16394
SCIP notification number (Belgium)	22734e31-8f12-43e5-a027-f20cabd96b66
SCIP notification number (Bulgaria)	e954e395-27e8-45a2-8eb1-4408e2571324
SCIP notification number (Czech Republic)	5efcc77d-7691-4053-8eae-ad8fcef5d9b6
SCIP notification number (Denmark)	7ffd275e-6612-42f5-b3fc-20e2f1bd423d
SCIP notification number (Finland)	1d86358a-211e-416d-9aee-0de3ce0320f7
SCIP notification number (France)	8daaa4eb-4fd9-4792-9158-6357e21c404e
SCIP notification number (Germany)	f329001a-8720-467e-ac13-e58c5584fefa
SCIP notification number (Hungary)	a05ae252-b7ad-4ea9-97a5-9bc26bc46bf3
SCIP notification number (Italy)	c6890112-a1d5-470a-aed9-57f794cd50c5
SCIP notification number (Netherlands)	435a1988-4f9e-42ae-a852-2b8bd4a3d507
SCIP notification number (Poland)	3a53c835-f491-4ead-8e87-bbdcf41c32f1
SCIP notification number (Romania)	2203c846-997f-47b0-89ab-b6c4fb0840c8
SCIP notification number (Sweden)	6ed2be51-a1d5-4d12-bd40-910d0cb4c92a

Main product function	Current flow monitoring module
Product type	Specialty electronics
Series	286

Approvals / Certificates

General approvals

Declarations of conformity and manufacturer's declarations



Approval	Standard	Certificate Name
EAC GZO Almaty Standart	TP TC 004/2011	EAC CoC 03078

Approval	Standard	Certificate Name
EU-Declaration of Confor- mity WAGO GmbH & Co. KG	-	-
UK-Declaration of Confor- mity WAGO GmbH & Co. KG	-	-

Downloads

Environmental Product Compliance

Compliance Search

Environmental Product Compliance 286-661



Documentation

Bid Text

286-661	19.02.2019	xml 3.79 KB	
286-661	02.04.2015	doc 24.50 KB	

Instruction Leaflet

Operation and Assembly Instructions Interface	V 1.0.0 02.04.2025	pdf 1246.19 KB	
---	-----------------------	-------------------	--

CAD/CAE-Data

CAD data

2D/3D Models 286-661



CAE data

WSCAD Universe 286-661



1 Compatible Products

1.1 Optional Accessories

1.1.1 Marking

1.1.1.1 Marker



Item No.: 209-701

WSB marking card; as card; not stretchable; plain; snap-on type; white

1.1.2 Terminal blocks

1.1.2.1 Terminal block for pluggable modules



Item No.: 280-619

Terminal block for pluggable modules; 6-pole; with 2-conductor terminal blocks; with orange separator; for DIN-rail 35 x 15 and 35 x 7.5; 2.5 mm²; CAGE CLAMP®; 2,50 mm²; gray



Item No.: 280-763

Terminal block for pluggable modules; 6-pole; with 4-conductor terminal blocks; with marker carrier; with orange separator; for DIN-rail 35 x 15 and 35 x 7.5; 2.5 mm²; CAGE CLAMP®; 2,50 mm²; gray



Item No.: 280-609

Terminal block for pluggable modules; 6-pole; with 4-conductor terminal blocks; with orange separator; for DIN-rail 35 x 15 and 35 x 7.5; 2.5 mm²; CAGE CLAMP®; 2,50 mm²; gray

Subject to changes. Please also observe the further product documentation!

Current addresses can be found at: www.wago.com