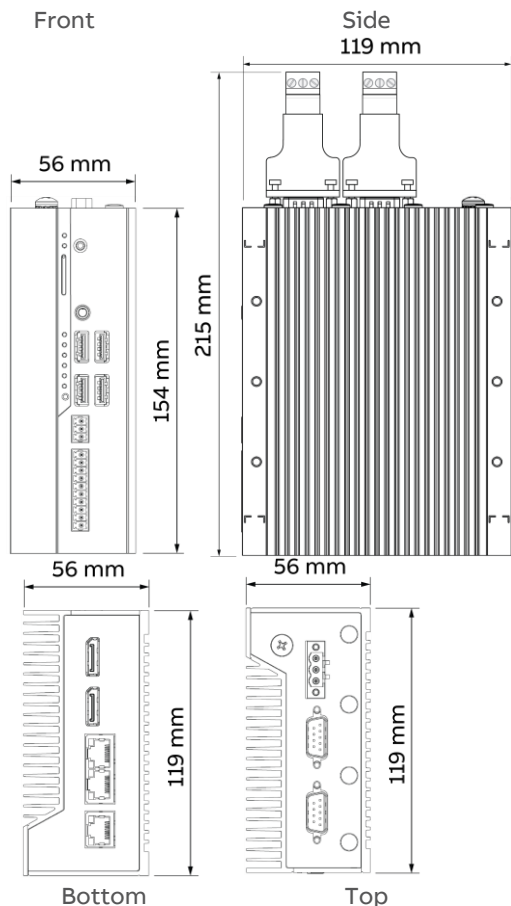


INSTALLATION AND WIRING

BDS0031 rev 10

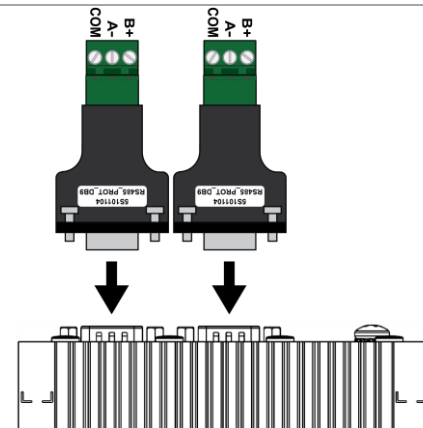
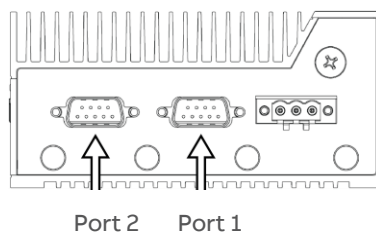
NEXUS-3 Series

INSTALLATION INSTRUCTIONS

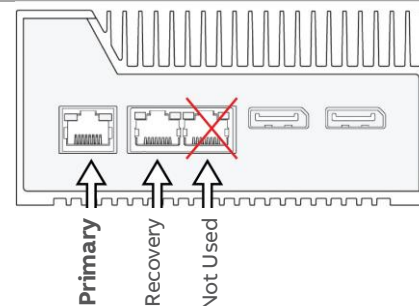


1) Remove the NEXUS-3 from its packaging, and mount it as describe in Mounting Instruction overleaf

2) Attach the supplied DB9-to-screw-terminal adapters to the two COM ports, making sure that the DB9 connections are secured with the attached screws.

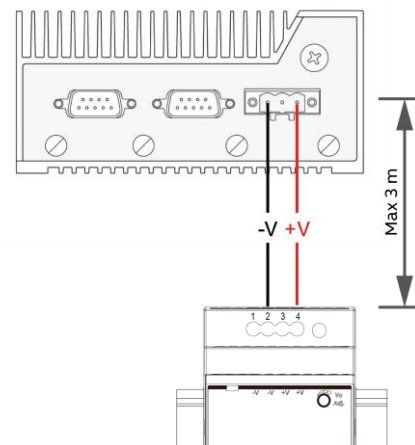


3) Connect an Ethernet cable to the **Primary** Ethernet port



4) Attach 24 V DC to the Power Input

The cable from the supplied PSU to the NEXUS-3 device should be min 0.5 mm² cross-section (20 AWG), with max length 3 m.



Warning: NEXUS-3 can be powered by a 24 V DC supply only.

The device will be damaged if connected to a 24 V AC power source.

Note: NEXUS-3 requires ASPECT 3.04.02 or later and cannot be downgraded to any version prior to this release.



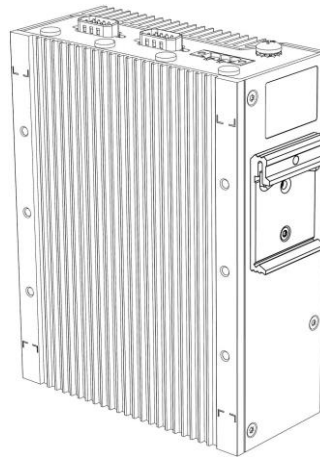
MOUNTING INSTRUCTIONS

DIN RAIL MOUNTING

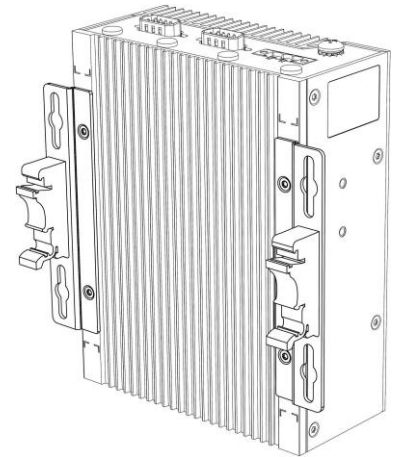
Step 1: Decide if the Nexus-3 is to be *Edge* or *Back* mounted.

- If it is to be Back mounted, attach the plastic DIN rail clips to the supplied wall mounting brackets, and attach the wall mounting brackets to the Nexus-3 chassis.
- If it is to be Edge mounted, attach the supplied Edge DIN rail mounting brackets to the Nexus-3 chassis

Step 3: Clip system to the DIN Rail



DIN Rail Edge Mounting



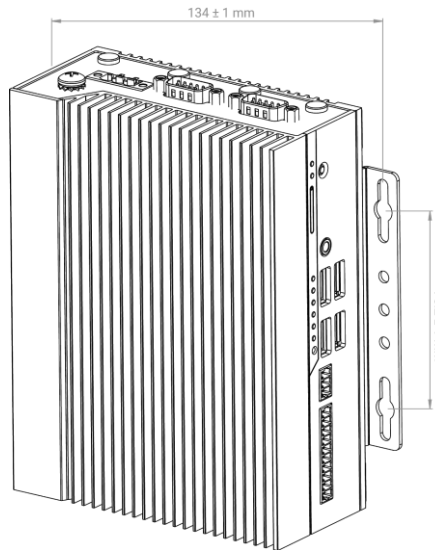
DIN Rail Back Mounting

WALL MOUNT

Step 1: Attach the supplied wall mounting brackets to the Nexus-3 chassis

Step 2: Mark and prepare holes in the surface to which the device is to be mounted using these brackets as a template

Step 3: Fasten the device to the mounting surface using suitable wall fixings



For further information on installing and configuring the NEXUS-3 device see the NEXUS-3 Series Installation manual:

<https://share.library.abb.com/api/v4?cid=Root&q=MAN0151>

