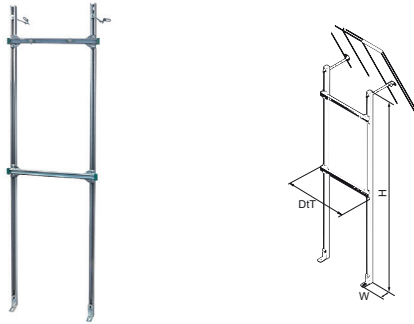


Walraven Gas Heater Support

(02505)

fixing of gas heaters



Features & benefits

- universal kits for fixing all types of wall-mounted boilers and water heaters
- + ■ due to adjustability it is also possible to attach to sloping roof
- largely pre-assembled kit, adjustable bars for flexible positioning of the boiler or water heater
- 034600X: maximum allowed load: 180 kg
- material: steel
- studs: pre-galvanized; cross-beams: zinc plated
- each support consists of: 2 vertical rails 30x30mm, 2 horizontal crossbars 30x30mm, 2 floor connection brackets, 2 wall connection brackets (flexible in angle), fasteners (plugs or anchors are not included)
- each kit is wrapped with assembly instructions

Product Number	Model	Total Height	Total Width	Total Depth	Maximum Load
Reference Letter		H	W	DtT	
Unit description		mm	mm	mm	N
0346001	Frame-Set	1,700	83	490	1,800
0346004	Frame-Set	1,700	83	900	1,800
0346008	Frame-Set	1,700	83	650	1,800
0346002	Frame-Set	2,000	83	900	1,800