

# Product data sheet Spirotech

## Product name

**SpiroVent Solar - $\frac{3}{4}$ " -Hor -AutoClose -HighT**

## Product properties

A brass (microbubble) deaerator - Autoclose for Solar & high-temperature systems (max. 180 °C) with a 22 mm -  $\frac{1}{2}$ " horizontal connection

- Specially developed for Solar (high temperature & pressure) installations
- Applicable with max. 20% - 50% Ethylene Glycol and water (Volume)
- Removes microbubbles, circulating and trapped air
- Greatly reduces commissioning times
- Minimal constant pressure drop
- No unnecessary shutdown
- Long lasting valve seat
- Connection diameters from 22 mm to  $1\frac{1}{2}$ " (G $1\frac{1}{2}$ )
- Prevents stagnation
- Solar fluid will not prematurely degenerate
- System will not boil dry via the deaerator
- No more climbing the roof to deaerate
- Permanent air-free, efficient installation
- Suitable for new and existing installations

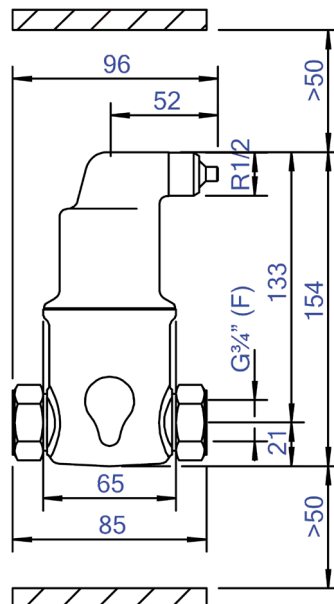
## Article number

**AA075FBA08**

## Product image



## Product dimensions



# Product data sheet Spirotech

## ETIM product data

|   |  |
|---|--|
| Housing material                          | Brass  |
| With drain valve                          | No   |
| Housing material quality                  | Other  |
| Backwash filter                           | No   |
| Medium temperature (continuous)           | 0 - 180 °C                                     |
| Max. operating pressure                   | 10 bar   |
| KVS value [m <sup>3</sup> /h] at ΔP 1 bar | 10.96  |
| Variable flow direction                   | Yes  |
| With insulation                           | No   |
| Separator type                            | Air  |
| Connection                                | Internal thread cylindrical BSPP-G (ISO 228-1) |
| Model                                     | Horizontal                                     |
| Nominal diameter                          | 3/4 inch (20)                                  |
| Max. glycol mixture                       | 50 %   |
| Suitable for heating                      | No   |
| Suitable for cooling                      | No   |

|                              |                           |
|------------------------------|---------------------------|
| Construction length          | 85 mm                     |
| Article compression class    | PN 10                     |
| Surface protection           | Untreated                 |
| Suitable for open system     | No                        |
| Suitable for closed system   | Yes                       |
| Suitable for solar           | Yes                       |
| With dismountable filter     | No                        |
| Filter volume                | 0.18 l                    |
| Magnet operating principle   | No                        |
| With automatic de-aerator    | Yes                       |
| With couplers                | Yes                       |
| Inlet/outlet offset distance | 0 mm                      |
| Material of connection       | Brass                     |
| Material quality connection  | Other                     |
| Flow-through capacity        | 0 - 1.3 m <sup>3</sup> /h |

### Disclaimer

This product sheet has been compiled with the greatest possible care. Nevertheless, it may contain errors or omissions. For the most current and correct information we refer you to our website

