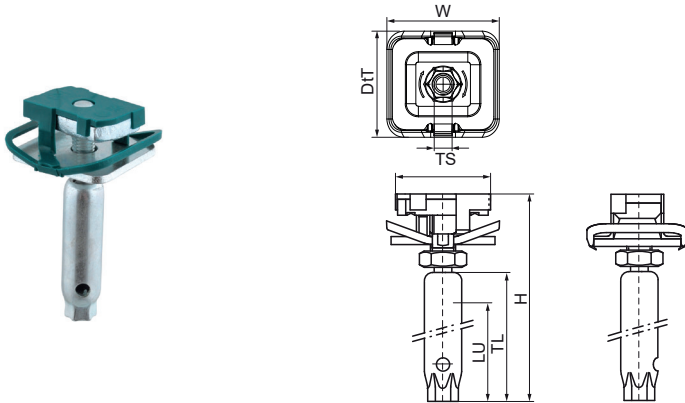


## Walraven RapidStrut® Ball Swivel Hanger

(H2475)

for flexible connections and pipe movement



### Features & benefits

- slide nut with ball swivel hanger, washer and Walraven RapidStrut® spring
- recommended for metal pipes up to DN 50, plastic pipes up to DN 100
- ready-to-use pre-assembled for a quick fixing, and retains assembly in place before final tightening
- with inspection hole to check screw-in depth (attention: when the threaded rod is screwed-in too deep, the ball swivel is blocked)
- screw-in depth is continuously variable (see LU)
- material: metal parts made of steel 1.0332; spring(s) made of POM (polyoxymethylene), green
- zinc plated
- tested for fire safety according to EN 1363-1
- Always use 2 ball swivel hangers and secure by additional hexagon nut (see application picture).
- The maximum length change that can be dealt with, depends on the fixing distance (ceiling - pipe). The height difference that occurs as a result, needs to be taken into consideration.
- To be used in combination with Walraven Ball Swivel Hangers.



| Product Number   | VVS Number | For Rail Type                     | Thread Size | Thread Length | Usable Length | Maximum Allowed Load Faz | Total Height | Total Width | Total Depth |
|------------------|------------|-----------------------------------|-------------|---------------|---------------|--------------------------|--------------|-------------|-------------|
| Reference letter |            |                                   | TS          | TL            | LU            | Fa,z                     | H            | W           | DtT         |
| Unit description |            |                                   |             | mm            | mm            | N                        | mm           | mm          | mm          |
| 66530805         | 018046218  | 41x21, 41x41, 41x51, 41x62, 41x82 | M8          | 50            | 37.5          | 3,100                    | 80           | 43.2        | 40.8        |
| 66530005         | 018046220  | 41x21, 41x41, 41x51, 41x62, 41x82 | M10         | 50            | 43            | 3,100                    | 80           | 43.2        | 40.8        |